

## MPB SERIES 3000 VARIABLE AREA FLOWMETER

The MPB Series 3000 range of Variable Area Flowmeters presents an economical means of accurate flow measurement. A scale length of 260mm offers excellent resolution giving easily read scale graduations.

The materials of construction offer compatibility to a wide range of industrial process mediums.

The end connections can be supplied in brass, stainless steel, or rigid PVC.

The units are fitted with a calibrated scale. A metric scale of 260mm is permanently fixed on the tube. A useful blank scale plate can also be provided for customers own calibration if required.

The 3000 Series can be used to measure the flow rate of most process gases and liquids.

Ranges up to 125 l/min of water (or 3000 l/min air @ STP) are supplied as standard.

Up to two economical latching Hi and Lo alarm devices can be fitted. These enable the alarms to remain activated whilst flow is above or below a set point. This reduces expensive electronic circuitry and is ideal for remote and process control applications.

A rear of panel mounting kit is available complete with bezel.

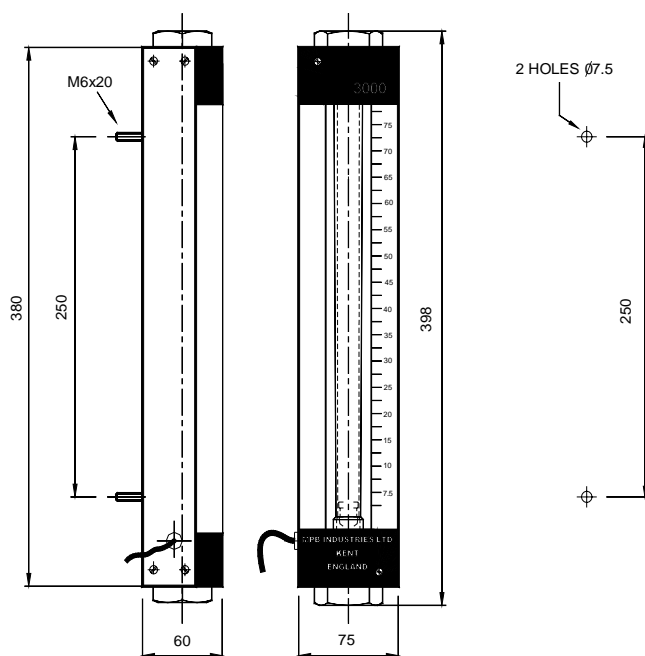


### SERIES 3000 FEATURES

- \* DIRECT READING OF INSTANTANEOUS FLOW RATES
- \* ECONOMICAL LATCHING ALARM(S)
- \* INTEGRAL SAFETY COVER
- \* METRIC SCALES
- \* PVC, BRASS OR STAINLESS STEEL CONNECTIONS ARE AVAILABLE AS STANDARD
- \* TUBE ASSEMBLY EASILY REMOVED AND REPLACED IN-SITU
- \* PLAIN SCALE PLATE FOR CUSTOMER CALIBRATION CAN BE SUPPLIED
- \* WIDE RANGE STANDARD FLOW RATES
- \* LIGHTWEIGHT CONSTRUCTION
- \* ROBUST DESIGN
- \* GUIDED FLOATS ARE USED ON ALL RANGES GIVING A STABLE READING
- \* CAN BE SUPPLIED WITH FLANGES
- \* IN-LINE MOUNTING OR PANEL MOUNTING

### 3000 VARIABLE AREA FLOWMETER

<p>Chassis: Anodised aluminium to BS 1615/AA25</p> <p>End Blocks: Rigid PVC, Brass or Stainless steel</p> <p>Process Connections: 3/4" &amp; 1" BSPFF</p> <p>Cover: Acrylic</p> <p>Seals: Nitrile or Viton</p> <p>Metering Tube: Borosilicate glass with metric permanently fired scale</p> <p>Scale: Adjustable calibrated scale (blank scale if required)</p> <p>Floats: Stainless steel Hard anodised aluminium</p>	<p>Weight: 1250 grams (typical)</p> <p>Maximum Working Pressure: Gas: 6 bar g (non shock) Liquid: 10 bar g (non shock)</p> <p>Maximum Working Temperature: 60°C Nitrile 100°C Viton</p> <p>Accuracy: ± 5% FSD predicted</p> <p>Optional Alarm: Rating: 100V max. 1 amp max. 10VA max. Resistive load Contacts N/O</p> <p>Connection: 2 metre flying lead</p>	
--	--	--



#### STANDARD RANGES

AIR @ STP	WATER	WATER
75 – 750 l/min	2.5 – 25 l/min	150 – 1500 l/hr
150 – 1500 l/min	5.0 – 50 l/min	300 – 3000 l/hr
22 – 2250 l/min	7.5 – 75 l/min	450 – 4500 l/hr
300 – 3000 l/min	10 – 100 l/min	600 – 6000 l/hr
	12 – 125 l/min	750 – 7500 l/hr

Customised flow ranges are available.

Due to the constant development and improvement of products, information may be altered or withdrawn without notice.