

ANALOGUE ELECTRICAL INDICATOR

**WEATHERPROOF
SEALING TO IP 66**

**SAFE & HAZARDOUS
AREA USE**

**EASY TO READ
ANALOGUE DISPLAY IN
YOUR PREFERRED UNITS**



**240 DEGREE
MOVING COIL
INDICATOR**

**EPOXY COATED STRONG
METAL CASE WITH
TOUGHENED GLASS WINDOW**

**SUITABLE FOR
SURFACE, PANEL OR
PIPE MOUNTING**

The FM4 series is designed to provide in plant, operator friendly indication. At a glance the analogue display clearly shows process variable and rate of change.

A 4-20 mA value can be shown in any customer preferred engineering unit, representing Temperature, Level, Flow, Pressure or other measured variables.

The indicator is suitable for both safe and hazardous areas predominately found on plant in tough petrochemical oil and gas sites. Offshore marine and water treatment plants are also users of the indicator.

The strong epoxy-coated die cast case, sealed to IP66 with a 5mm toughened glass window, withstands dust and hosing.

The FM4 uses a proven high quality jewel pivot movement system. Manufactured with military standard components. The movement is inherently reliable and accurate.

Mounting arrangements can be surface or bulkhead mounted using the mounting straps supplied or onto a panel using 5 mm screws (this requires rear panel access). A further alternative is horizontal or vertical pipe mounting using the optional pipe mounting kit. The indicator is easy to install and maintenance free.

The indicator is offered with ATEX Certification. Supporting Australian documentation can also be supplied.

Specifications & Construction

Input

4-20mA

Pointer Deflection

240°

Accuracy

-1.0 % at 20°C

Ambient Temperature

-25°C to +70°C

Case

Epoxy-Coated Die Cast LM6 Alloy

Window

5mm Toughened Glass

Gasket

Hypalon

Weather Proof Protection

IP66 (Protected Against Dust and Water Ingress)

Movement

Shock & Vibration Resistant Pivot and Jewel suspension

Dial

100mm Flat Metal Dial, Colour White

Weight

2.1 Kg (Excluding Fittings)

Order Code

Hazardous Atmosphere

Certified Ranges

4-20 mA dc

Movement Resistance

4 ohms min

Max Inductance

195 uH

Intrinsically Safe Certification ia

Cert No: SIRA 03 ATEX2270

Energy Limitation Certification nL

Cert No. SIRA 03 ATEX4271

Ambient Temperature Limits

-20°C to +40°C

Dimensions

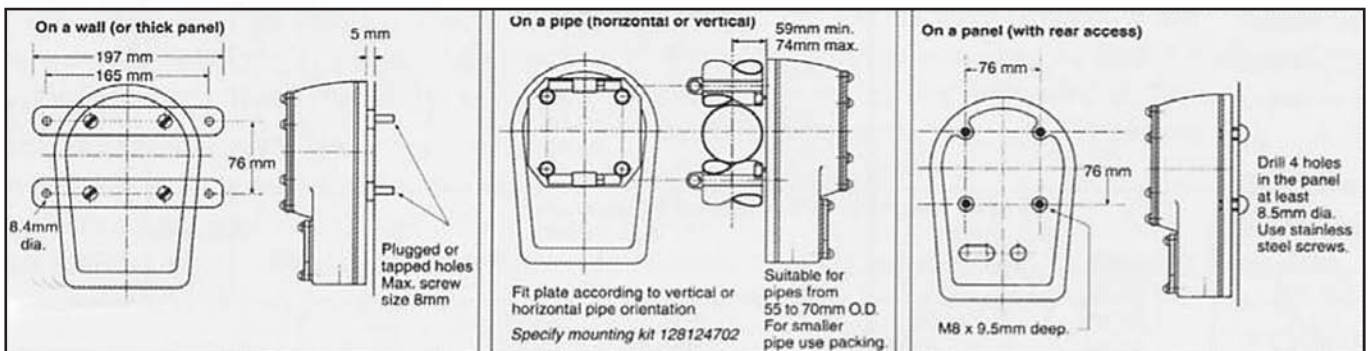
See Diagrams

Calibration

Dial markings in your preferred units.
See Order Code.

CODE				
FM4	FM Series Analogue Electrical Indicator			
	CODE	MOUNTING ARRANGEMENT		
	A	Wall Surface using Mounting Straps		
	B	Pipe using Vertical/horizontal 55 to 70 mm pipe mounting kit		
	C	On Panel using rear access screw fitting		
		CODE	DIAL MARKINGS	
		1	4 to 20mA	
		2	0 to 100%	
		3	Square Root	
		4	Other: advise your requirements	
			CODE	CERTIFICATION
			A	EEx ia IIC T6
			B	EEx nL IIC T6
FM4	A	1	A	TYPICAL ORDER CODE

Mounting and Connection Details



33 – 37 College Street
P.O. Box 145 Gladesville NSW 2111 Australia
Telephone: (61-2) 9816 3377 Fax: (61-2) 9816 3806
Email: sydney@measurement-resources.com.au
Website: www.measurement-resources.com.au

