

CLAMP CONNECTION TYPE DIAPHRAGM SEAL

DT106

DT106 sanitary diaphragm seal is designed to be used in food, beverage industry and pharmaceutical industry. It is easy to assemble with pressure gauges, pressure switches and pressure instruments.

Technical Data

Instrument connection: female thread ¼" to ½" BSP or NPT

Process connection: 1", 1½", 2" (ISO2852), 25, 32, 40, 50 (DIN32676)

Temperature limited: -40~+150°C

Pressure range limited: (for pressure gauge)

Size	Minimum Limited	Maximum Limited
1"	0~10 Kg/cm ²	0~60 Kg/cm ²
1½"	0~4 Kg/cm ²	0~40 Kg/cm ²
2"	-1~1.5 Kg/cm ²	0~16 Kg/cm ²

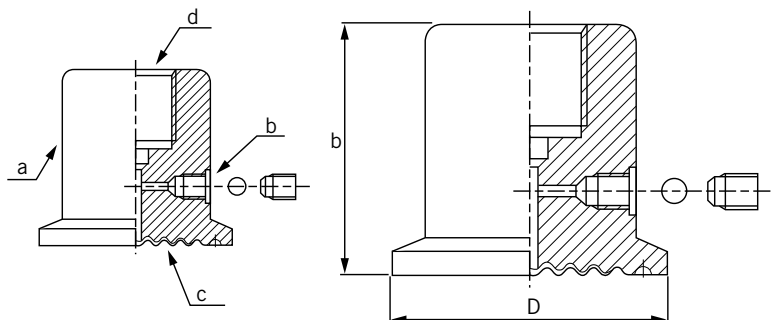


Material: Body- 316SS (standard); options- 316LSS, Hastelloy C276, and others available on request

Membrane: 316LSS (standard); Options- Hastelloy C276, tantalum, titanium and others on request.

Dimensions

Item	Description of Parts
a	Upper housing
b	Filling port
c	Membrane
d	Instrument connection



Dimensional Data=mm

ISO	b	D
1"	37	50.5
1½"	37	50.5
2"	45	64

DIN	b	D
25	37	50.5
32	37	50.5
40	37	50.5
50	45	64

Ordering Information

DT106	Code	Instrument
		(A) ¼"BSP (B) ¼"NPT (C) ⅜"BSP (D) ⅜"NPT (E) ½"BSP (F) ½"NPT
		Code Process connection type
		ISO ISO2852
		DIN DIN32676
		Code Process connection rating
		ISO (1) 1" (2) 1½" (3) 2"
		DIN (4) 25 (5) 32 (6) 40 (7) 50
		Code Body material
		(S) 316SS (0) Option
		Code Membrane material
		(1) 316L (2) HC276 (3) Tantalum (4) Titanium (5) Option
		Code Pressure Range
		(0) Diaphragm seal only (R) Directly fill out pressure gauge
DT106		Complete ordering code

FLANGE TYPE DIAPHRAGM SEAL

DT110

DT110 diaphragm seal is designed to be used in highly viscous process media such as pulp, paper, waste water treatment, and plastic/chemical process industries. DT110 is easy to assemble with pressure gauges, pressure switches, and pressure instruments.

Technical Data

Instrument connection: female thread ¼" to ½" BSP or NPT

Process connection: ¼" to ½" Thread BSP or NPT

Temperature limited: -40~+150°C cooling element or capillary line up to 350°C

Pressure range limited: Maximum up to 40 kg/cm²

Minimum -760 mmHg ~0

0~500 mmH₂O (for transmitter only)

0~2500 mmH₂O

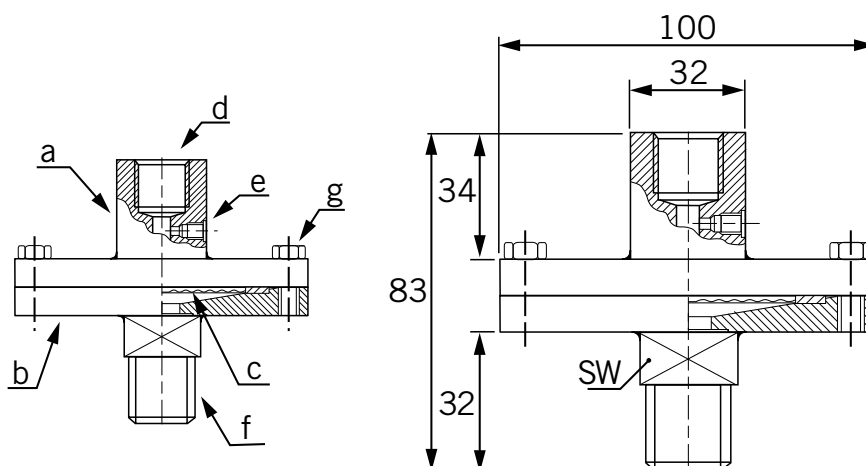
Material: Upper & Lower housing-316SS (standard), others on request

Membrane: 316LSS (standard); Options- Hastelloy C276, tantalum, titanium and others on request.



Dimensions

Item	Description of Parts
a	Upper housing
b	Filling port
c	Membrane
d	Instrument connection
e	Filling port
f	Process connection
g	Screw bolt



unit=mm

Ordering Information

DT110	Code	Instrument
		(A) ¼"BSP (B) ¼"NPT (C) ⅜"BSP (D) ⅜"NPT (E) ½"BSP (F) ½"NPT
		Code Process connection rating
		(1) ¼" BSP (2) ¼" NPT (3) ⅜"BSP (4) ⅜"NPT (5) ½"BSP (6) ½"NPT (7) Option
		Code Thread
		(M) Male (F) Female
		Code Material of upper housing
		(S) 316SS(standard) (O) Option
		Code Material of lower housing
		(S) 316SS(standard) (O) Option
		Code Material of membrane
		(1) 316LSS (2) Hastelloy C276 (3) Tantalum (4) Titanium (5) Option
DT110		Complete ordering code

FLANGE TYPE DIAPHRAGM SEAL

DT122

DT122 diaphragm seal is designed to be used in highly viscous process media such as pulp, paper, waste treatment, and plastic/chemical process industries. DT122 is easy to assemble with pressure gauges, pressure switches, and pressure instruments.

Technical Data

Instrument connection: female thread ¼" to ½" BSP or NPT

Process connection: ½" to 3" Flange, JIS, ANSI, DIN available

Temperature limited: -40~+150°C cooling element or capillary line up to 350°C

Pressure range limited: Maximum up to 40 kg/cm²
Minimum -1~1.5 kg/cm², 0~1.6 kg/cm²
0~6000 mmH₂O (for transmitter only)

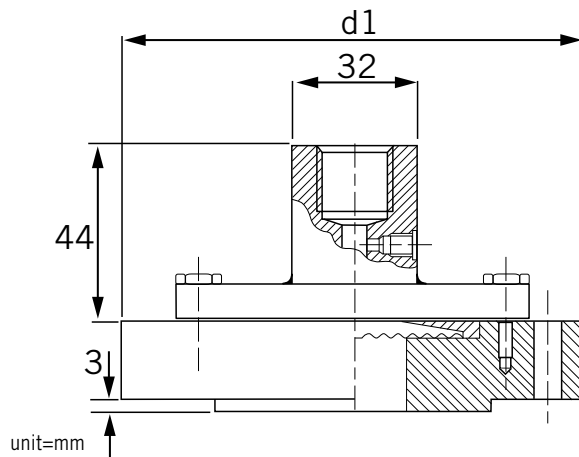
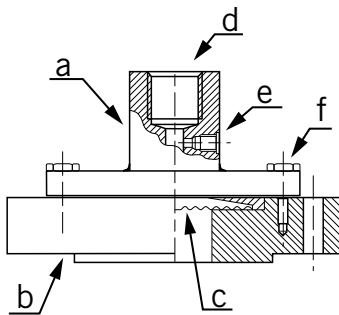
Material: Upper & Lower housing-316SS (standard), Teflon lining on request

Membrane: 316LSS (standard); Options- Hastelloy C276, Teflon lining, tantalum, titanium and others on request.



Dimensions

Item	Description of Parts
a	Upper housing
b	Lower housing
c	Membrane
d	Instrument connection
e	Filling port
f	Screw bolt



Please note: d1 size is according to the flange rating and size.

*The flange sizes of 1" to 4" are available upon request.
The dimensions are according to the standard specifications of JIS, ANSI and DIN.

Ordering Information

DT122	Code	Instrument
		(A) ¼"BSP (B) ¼"NPT (C) ⅜"BSP (D) ⅜"NPT (E) ½"BSP (F) ½"NPT
		Code Process connection rating
		(1) ½" (2) ¾" (3) 1" (4) 1½" (5) 2" (6) 3" (7) Option
		Code Flange rating
		(1) 150# (2) 300# (3) PN16 (4) PN25 (5) JIS 10K (6) JIS 20K (7) Option
		Code Material of upper housing
		(S) 316SS(standard) (0) Option
		Code Material of lower housing
		(1) 316SS (2) Hastelloy C276 (3) Tantalum (4) Titanium (5) TH-Teflon lining (6) Option
		Code Material of membrane
		(1) 316LSS (2) Hastelloy C276 (3) Tantalum (4) Titanium (5) TH-Teflon lining
DT122		Complete ordering code

FLANGE TYPE DIAPHRAGM SEAL

DT123 –Teflon Lining Type

DT123 diaphragm seal is designed to be used in highly viscous process media such as pulp, paper, waste water treatment, and plastic/chemical process industries. DT123 is easy to assemble with pressure gauges, pressure switches, and pressure instruments.

Technical Data

Instrument connection: female thread ¼" to ½" BSP or NPT

Process connection: ½" to 1" Flange, JIS, ANSI, DIN available

Temperature limited: -40~+100°C

Pressure range limited: Maximum up to 60 kg/cm²
Minimum -760 mmHg~0, 0~1.6 kg/cm²

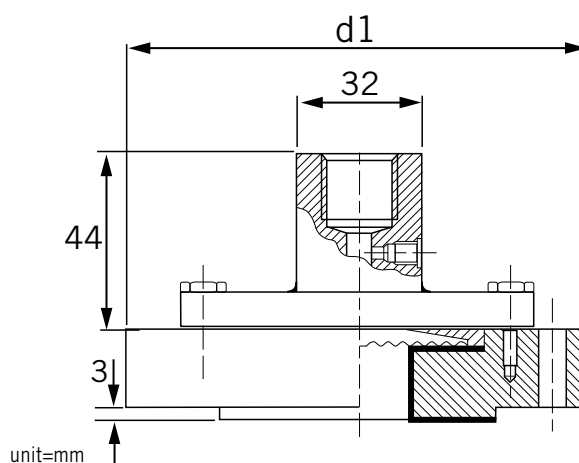
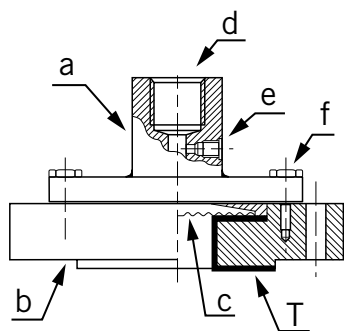
Material: Upper & Lower housing-316SS (standard), others on request

Membrane: 316SS (standard); Options- Hastelloy C276, tantalum, titanium and others on request.



Dimensions

Item	Description of Parts
a	Upper housing
b	Lower housing
c	Membrane
d	Instrument connection
e	Filling port
f	Screw bolt
T	Teflon lining



unit=mm

Please note: d1 size is according to the flange rating and size.

*The flange sizes of 1" to 4" are available upon request.
The dimensions are according to the standard specifications of JIS, ANSI and DIN.

Ordering Information

DT123	Code	Instrument
		(A) ¼"BSP (B) ¼"NPT (C) ⅜"BSP (D) ⅜"NPT (E) ½"BSP (F) ½"NPT
		Code Process connection rating
		(1) ½" (2) ¾" (3) 1" (4) 1½" (5) 2" (6) 3" (7) Option
		Code Flange rating
		(1) 150# (2) 300# (3) PN16 (4) PN25 (5) JIS 10K (6) JIS 20K (7) Option
		Code Material of upper housing
		(S) 316SS+Teflon lining (standard) (0) Option
		Code Material of lower housing
		(1) 316SS+Teflon lining (0) Option
		Code Material of membrane
		(1) 316LSS (2) Hastelloy C276 (3) Tantalum (4) Titanium (5) Option
DT123		Complete ordering code

FLANGE TYPE DIAPHRAGM SEAL

DT116 –Teflon Lining on Wetted Parts Available

DT116 diaphragm seal is designed to be used in highly viscous process media such as pulp, paper, waste water treatment, and plastic/ chemical process industries. DT116 is easy to assemble with pressure gauges, pressure switches, and pressure instruments.

Technical Data

Instrument connection: female thread ¼" to ½" BSP or NPT

Membrane size: Ø75 available

Process connection: ½" to 3" Flange, JIS, ANSI, DIN available

Temperature limited: -40~+100°C

Pressure range limited: Maximum up to 40 kg/cm², Teflon lining type up to 25kg/cm²

Minimum: -760 mmHg~0 (Ø75 Membrane)

Material: Upper & Lower housing-SS316 (standard), others on request

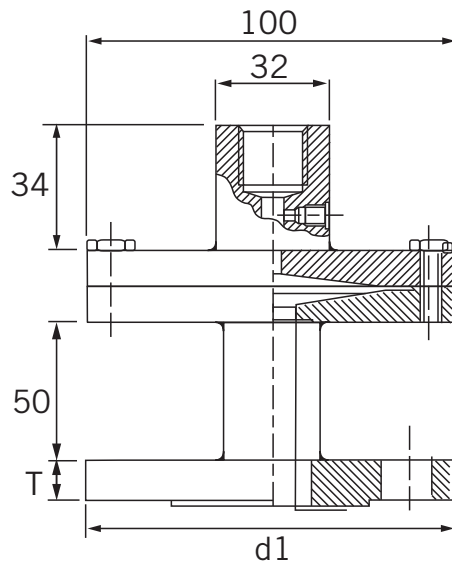
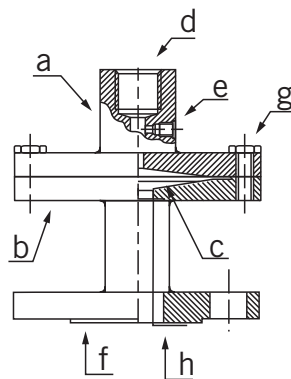
Wetted parts Teflon lining available on request

Membrane: SS316L (standard); Options- Hastelloy C276, SS316L with teflon lining, tantalum, and others on request.



Dimensions

Item	Description of Parts
a	Upper housing
b	Lower housing
c	Membrane
d	Instrument connection
e	Filling port
f	Process connection
g	Screw bolt
h	Teflon lining



unit=mm

NOTE
Performance Technical Data are effective with date of issue and are subject to change without prior notice.

Please note: The T dimension is according to the standard specifications of JIS, ANSI and DIN.

Ordering Information

DT116	Code	Instrument Connection (Female)
		(A) ¼"BSP (B) ¼"NPT (C) ¾"BSP (D) ¾"NPT (E) ½"BSP (F) ½"NPT
		Code Membrane size
		(A) Ø75
		Code Process connection rating
		(1) ½" (2) ¾" (3) 1" (4) 1½" (5) 2" (6) 3" (7) Option
		Code Flange rating
		(1) 150# (2) 300# (3) PN16 (4) PN25 (5) JIS 10K (6) JIS 20K (7) Option
		Code Upper housing material
		(S) SS316 (standard) (O) Option
		Code Lower housing material
		(S) SS316 (O) Option (T) SS316+Teflon lining (Only can up to 1" size.)
		Code Membrane material
		(1) SS316L (2) Hastelloy C276 (3) Tantalum (4) SS316+Teflon lining (5) Option
DT116		Complete ordering code

33 – 37 College Street

P.O. Box 145 Gladesville NSW 2111 Australia

Telephone: (61-2) 9816 3377 Fax: (61-2) 9816 3806

Email: admin@measurement-resources.com.au

Website: www.measurement-resources.com.au