



**SERIES  
8200 and 8240  
Electrical  
Indicators**

Now S.A.A.  
certified  
**Ex ia**  
Type N

**Models:  
8200 General purpose  
8240 DIN style**

**FEATURES**

- Accuracy  $\pm 1.0\%$
- Weatherproof to IP54
- Clear, easy to read scales
- Calibrated to suit your installation
- Intrinsically safe versions available
- Classification societies approved:  
Lloyds Register of Shipping  
Det Norske Veritas

**Description**

These indicators, together with a KDG integrated electronic level transmitter and a power supply unit, form a complete system for accurate tank contents or liquid level measurement.

Heavy duty taut band meters are available to order, in DIN standard cases.

The 8240 may be used as the primary indicator, or alternatively as repeater units at remote stations or fill-points, etc. Its external dimensions comply with DIN 43700 standard making it ideal where panel accommodation is limited. If required the indicator may be wall mounted with mounting lugs supplied. The

electrical connection to the 8240 is by jack-socket in the base of the enclosure. A second socket is provided so that further indicator or relay units may be inserted into the signal line.

Meter movements are available as 0 to 1mA or 4 to 20mA to be compatible with the KDG 8000 or 8700 series of electronic level transmitters. Pointer deflection is 240° giving a scale length of 145mm for 8240 and 286mm for 8200.

The scales of these indicators may be graduated in any units of volume, weight or depth with wording to suit your requirements.

---

# Operational data (reference conditions)

**Current ranges:**

0 to 1 mA (8240).  
0 to 1 mA (8200).  
4 to 20 mA (8200).  
0 to 10 mA (8200).

**Humidity:**

5 to 95% RH (8200).

**Pointer deflection:**

240°

**Zero adjustment:**

Mechanical, on front window (8200).

**Scale length:**

286 mm (8200).  
145mm (8240).

**Input resistance:**

136 ohms  $\pm$  10% (8200). 0–1mA, 5ohms  $\pm$  10% (8200 4–20 mA)  
415 ohms  $\pm$  10% (8240).

**Weatherproof protection:**

BS2817.

**Operating temperature:**

– 10 to +60°C (8200).  
0 to 50°C (8240).

---

# Performance data

**Accuracy:**

Max. error  $< \pm 1.0\%$  of calibrated span including effects of linearity and hysteresis.

**Ambient temperature effects:**

Temperature coefficient  $< 0.06\%$  per degree C (8200).  
Temperature coefficient  $< 0.01\%$  per degree C (8240).

**Approvals**

Intrinsically safe to SFA 3012 Ex 1a IIc T6 (8200).  
Lloyds Certificate No. 619

**Mounting position effect:**

$< 1.0\%$  for a 45° change from vertical (8200).  
8240 to be mounted vertically.

---

# Construction data

**Materials:**

8200 case — polyester.  
Bezel and window — polycarbonate.  
8240 case — mild steel.  
Front bezel and back panel — ABS.  
Window — acrylic.

**Weight:**

8200 — 1.1kg.  
8240 — 0.5kg.

**Standard accessories:**

8200 — Surface mounting brackets or panel mounting lugs.  
8240 — DIN panel clamps or wall mounting lugs. Two jack plugs (3.5mm).

**Calibration:**

As standard, instruments are calibrated to customers specified span at ambient temperature.

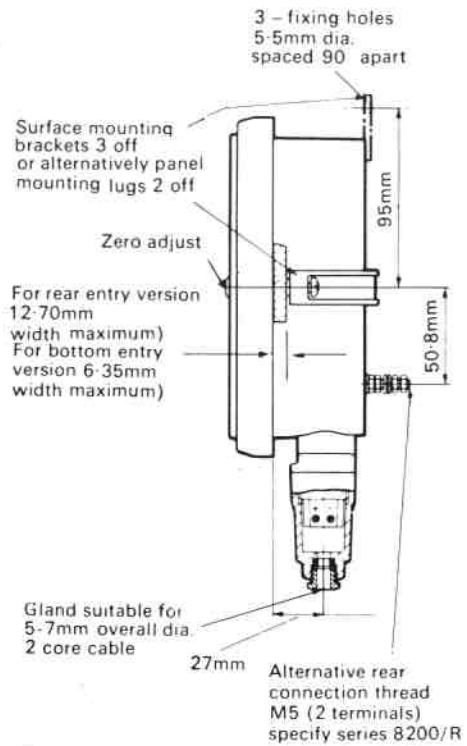
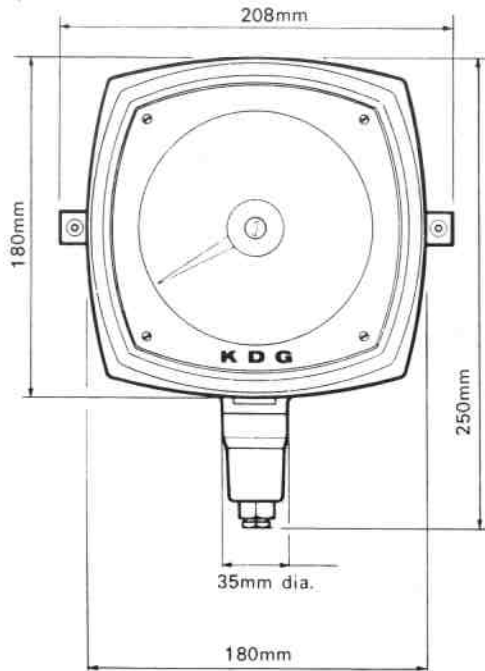
**Electrical connections (8200):**

Terminal block with cable gland or two M5 studs as ordered.

---

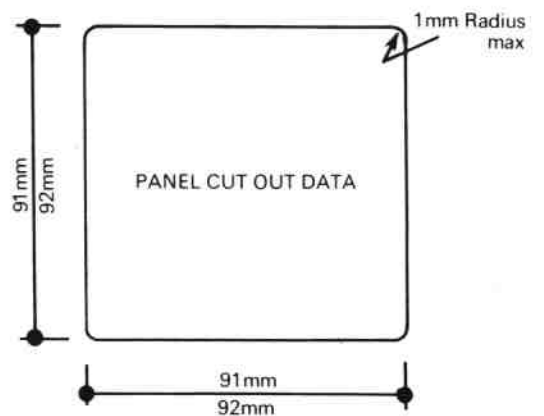
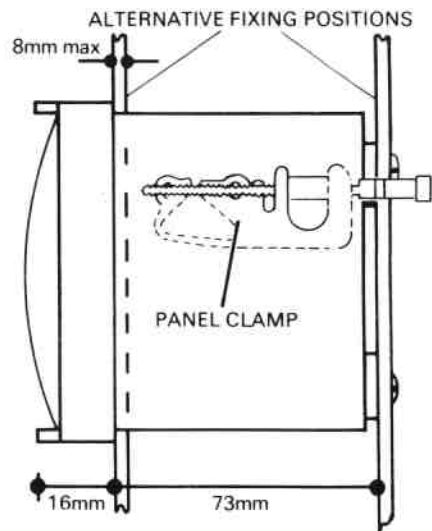
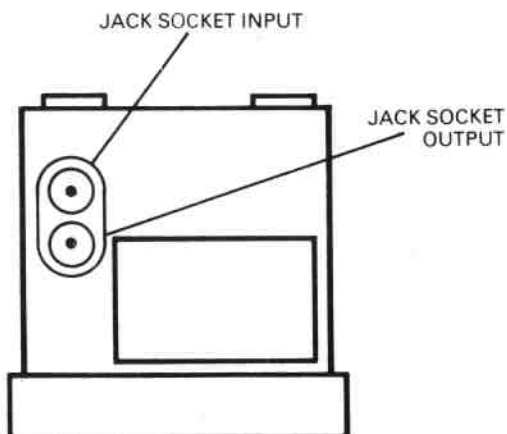
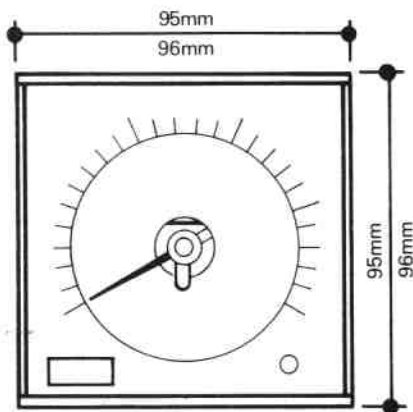
# Outline/Installation dimensions

8200



MAX. PANEL THICKNESS 7mm

8240



MAX. PANEL THICKNESS 8mm

# Ordering Information

Model	Electrical indicators 0 to 1mA and 4 to 20mA					
8200 8240	General purpose DIN style					
	Code	Sensitivity				
	001	0 to 1mA				
	010	0 to 10mA (8200 only)				
	420	4 to 20mA (8200 only)				
	Code	Electrical connection				
	CG	Cable gland				
	RT	Tear terminals (M5 studs)				
	Code	Mounting				
	PM	Panel mounting				
	SM	Surface/wall mounting				
	Code	Approvals				
	IS	Intrinsically safe				
	LR	Lloyds Register Cert. 619 (8200)				
	NC	Not certified.				
	Scale graduation, marking and units					
	State in words, your requirements, in full					
	420	CG	PM	IS	Scale 0 to 5000, graduated every 200, with figures at each 1000 mark. Units are litres fuel oil.	<b>Typical ordering information</b>

The Company reserves the right to modify this design without notification.



*Measurement Resources Pty Ltd*  
A.C.N. 003 247 738



33 - 37 College Street  
P.O. Box 145, Gladesville, N.S.W. 2111 Australia  
Telephone: (02) 9816 3377, Fax: (02) 9816 3806  
**NATIONAL FREE CALL NUMBER: 1 800 626 476**  
Email: [sydney@measurement-resources.com.au](mailto:sydney@measurement-resources.com.au)  
Website: [www.measurement-resources.com.au](http://www.measurement-resources.com.au)

THE COMPANY RESERVES THE RIGHT TO MODIFY THIS DESIGN WITHOUT NOTIFICATION