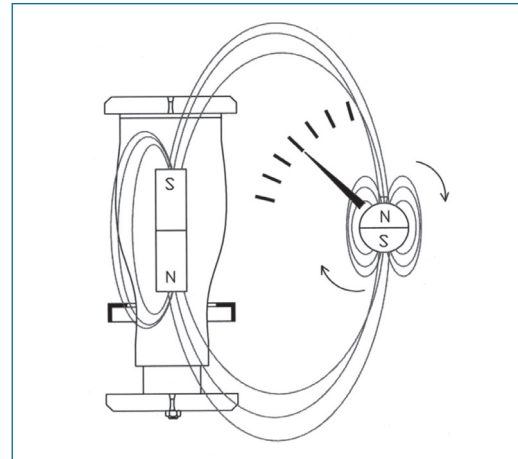


# METAL TUBE FLOWMETER BF300



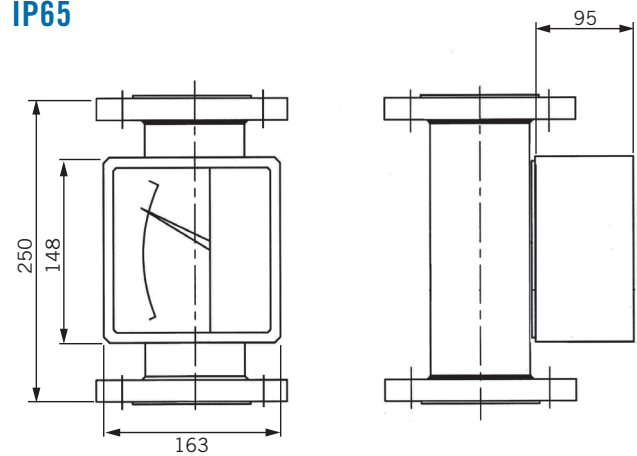
## Principle



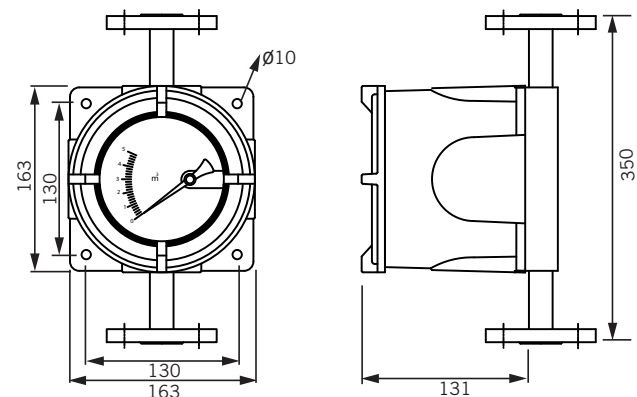
## Dimensions

unit: mm

### IP65



### Explosion Proof



## Technical Data

**BF300 for High flows of gases , liquid and steam**

**Material :** Aluminum alloy case with paint .

**Body wetted parts :** in 316SS, PTFE lined, plastic.  
 Others on request.

**Indication via magnetic coupling (no sealed)**

**Scales calibrated:** in l/h ,m<sup>3</sup>/h ,kg/h , % , etc.

**Flow rates for :**

– Water : 30 l/h up to 120,000 l/h.  
 (special ranges on request)

– Air : 0.1 Nm<sup>3</sup>/h up to 450 Nm<sup>3</sup>/h.  
 (special ranges on request)

**Connection types :**

– flange type, trip clamp & sanitary  
 (others on request)

**Connection size :** 1/2" ~ 5"

**Mounting Length :** 250 mm, standard;  
 350 mm, explosion proof

**Temperature :** 200°C(300°C option)

**Housing protection:** IP65 or Explosion Proof, CLASS I, GROUPS B, C & D; CLASS II, GROUPS E, F, & G; NEMA 4, 7, 9

**Accuracy :** ±2% FS,(±1.6 F.S Option)

**Max pressure :** 40 kg/cm<sup>2</sup>  
 (Option: up to 100 kg/cm<sup>2</sup>)

**Option :** Switch available (Micro Switch : 3A/250VAC, 5A/30VDC, 0.4/125VDC), Adjustable inductive alarm switch available, 4~20 mA two wires analog output available



## Standard Scales

Tube	L/H 20°C Water	NM3/H Air 20°C 1.013bar	ΔPmmWater	connection
BF3001	4 ~ 30	0.1 ~ 1	≤750	1/2"
BF3002	4 ~ 40	0.13 ~ 1.3	≤750	1/2"
BF3003	5.5 ~ 55	0.17 ~ 1.7	≤750	1/2"
BF3004	8 ~ 80	0.2 ~ 2	≤750	1/2"
BF3005	16 ~ 160	0.5 ~ 5	≤750	1/2"
BF3006	18 ~ 180	0.6 ~ 6	≤750	1/2"
BF3007	30 ~ 300	1 ~ 10	≤750	1/2"
BF3008	50 ~ 500	1.5 ~ 15	≤750	1/2"
BF3009	60 ~ 600	1.8 ~ 18	≤750	1/2"
BF3010	70 ~ 700	2 ~ 20	≤750	1/2"
BF3011	100 ~ 1000	3 ~ 30	≤750	3/4"
BF3012	120 ~ 1200	4 ~ 40	≤750	1"
BF3013	160 ~ 1600	5 ~ 50	≤700	1"
BF3014	200 ~ 2000	6 ~ 60	≤700	1"
BF3015	240 ~ 2400	7 ~ 70	≤700	1"
BF3016	280 ~ 2800	8.5 ~ 85	≤700	1"
BF3017	320 ~ 3200	9 ~ 90	≤700	1"
BF3018	350 ~ 3500	10 ~ 100	≤700	1"
BF3019	500 ~ 5000	14 ~ 140	≤650	1½"
BF3020	600 ~ 6000	15 ~ 180	≤650	1½"
BF3021	700 ~ 7000	20 ~ 200	≤650	1½"
BF3022	800 ~ 8000	24 ~ 240	≤650	1½"
BF3023	1000 ~ 10000	30 ~ 300	≤650	2"
BF3024	1200 ~ 12000	35 ~ 350	≤650	2"
BF3025	1400 ~ 14000	40 ~ 400	≤650	2"
BF3026	1500 ~ 15000	45 ~ 450	≤1000	2"
BF3027	1800 ~ 18000	-----	≤800	2½"
BF3028	2000 ~ 20000	-----	≤800	2½"
BF3029	2300 ~ 23000	-----	≤850	3"
BF3030	2500 ~ 25000	-----	≤1000	3"
BF3031	2800 ~ 28000	-----	≤1100	3"
BF3032	3000 ~ 30000	-----	≤1200	3"
BF3033	3500 ~ 35000	-----	≤1000	4"
BF3034	4000 ~ 40000	-----	≤1000	4"
BF3035	5000 ~ 50000	-----	≤1200	4"
BF3036	6000 ~ 60000	-----	≤1500	4"
BF3037	7000 ~ 70000	-----	≤1200	5"
BF3038	8000 ~ 80000	-----	≤1200	5"
BF3039	10000 ~ 100000	-----	≤1500	5"
BF3040	12000 ~ 120000	-----	≤1800	5"

