

## MPB SERIES 1200 VARIABLE AREA FLOWMETER

The MPB Series 1200 Flowmeter is produced in three standard sizes. Normally front of panel mounted, but can also be rear of panel mounted and supplied complete with bezel and mounting kit. Three versions are available:-

**1200 Long**, which has a flow tube length of 295mm, is for use where high resolution scale accuracy is required.

**1200 Standard**, which has a flow tube length of 138mm, universal standard tube length.

**1200 Compact**, which has a flow tube length of 93mm, is for use where space is at a premium.

The 1200 Series Flowmeter will give an instantaneous flow rate of virtually any process gas or liquid.

The 1200 Series Flowmeter can be supplied with either nickel plated brass, anodised aluminium alloy, or stainless steel connections.

These can be supplied with straight through, or rear facing connections, with or without integral control valves.

### SERIES 1200 FEATURES

- \* THREE STANDARD LENGTHS AVAILABLE
- \* VALVED OR NON-VALVED VERSIONS AVAILABLE
- \* IN-LINE OR REAR FACING CONNECTIONS
- \* DIRECT READING OF INSTANTANEOUS FLOW RATE
- \* STANDARD FLOW RANGES
- \* EASY TO READ SCALE
- \* FRICTIONLESS, HENCE LOW HEAD LOSS
- \* ELEGANT AND ROBUST DESIGN
- \* STANDARD OR CUSTOMISED FLOW SCALES
- \* EASY IN-SITU TUBE REMOVAL AND RE-INSTALLATION
- \* SUITABLE FOR FRONT OR REAR OF PANEL MOUNTING
- \* ALARM POINT SIGNALS
- \* INTRINSICALLY SAFE VERSION
- \* BEZEL AND MOUNTING KIT AVAILABLE FOR ALL VERSIONS
- \* Ni PLATED BRASS, ANODISED ALUMINIUM AND STAINLESS STEEL CONNECTIONS
- \* WIDE RANGE OF ACCESSORIES
- \* MINIMAL MAINTENANCE
- \* LONG SERVICE LIFE



Chassis:	Anodised aluminium to BS 1615/AA25	Plumb Bob Floats:	Hard anodised aluminium Stainless steel
End Blocks:	Ni plated brass Stainless steel Anodised aluminium alloy	Ball Floats:	Glass, Stainless steel, Ceramic, Ruby, Tungsten
Process Connections:	¼" BSPPF rear facing ¼" BSPPF straight through	Weight:	570/670 grams (standard)
Valve Stem:	Stainless steel	Maximum Working Pressure:	Gas: 6 bar g (non shock) Liquid: 10 bar g (non shock)
Cover:	Acrylic	Maximum Working Temperature:	60°C Nitrile 100°C Viton
Seals:	Nitrile or Viton		
Metering Tube:	Borosilicate glass (93mm, 138mm and 295mm long)	Accuracy:	± 5% FSD predicted ± 2% FSD series calibrated

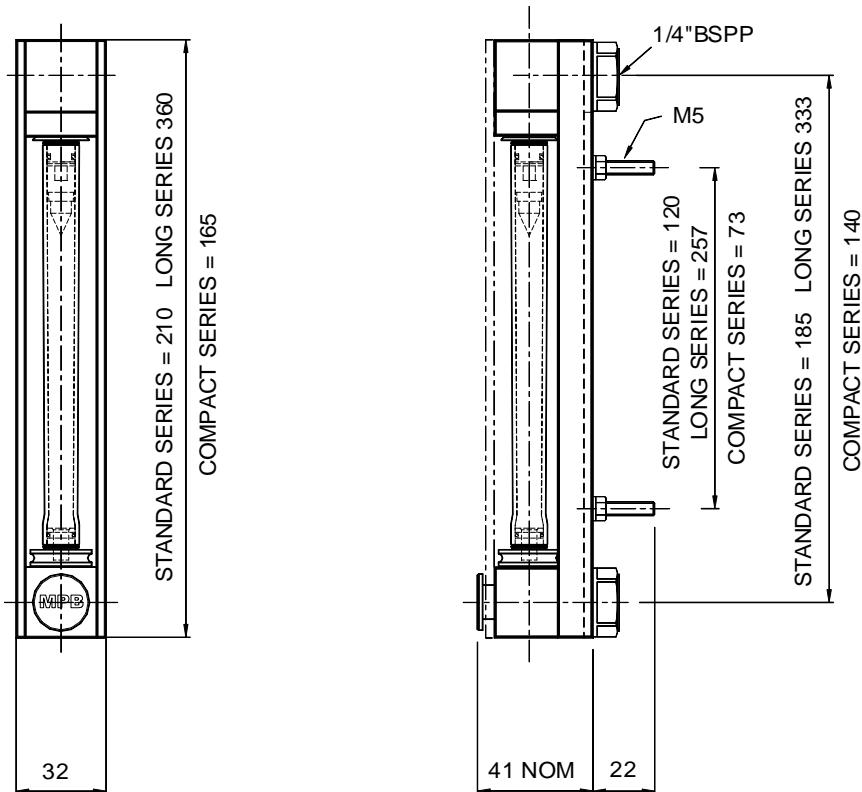
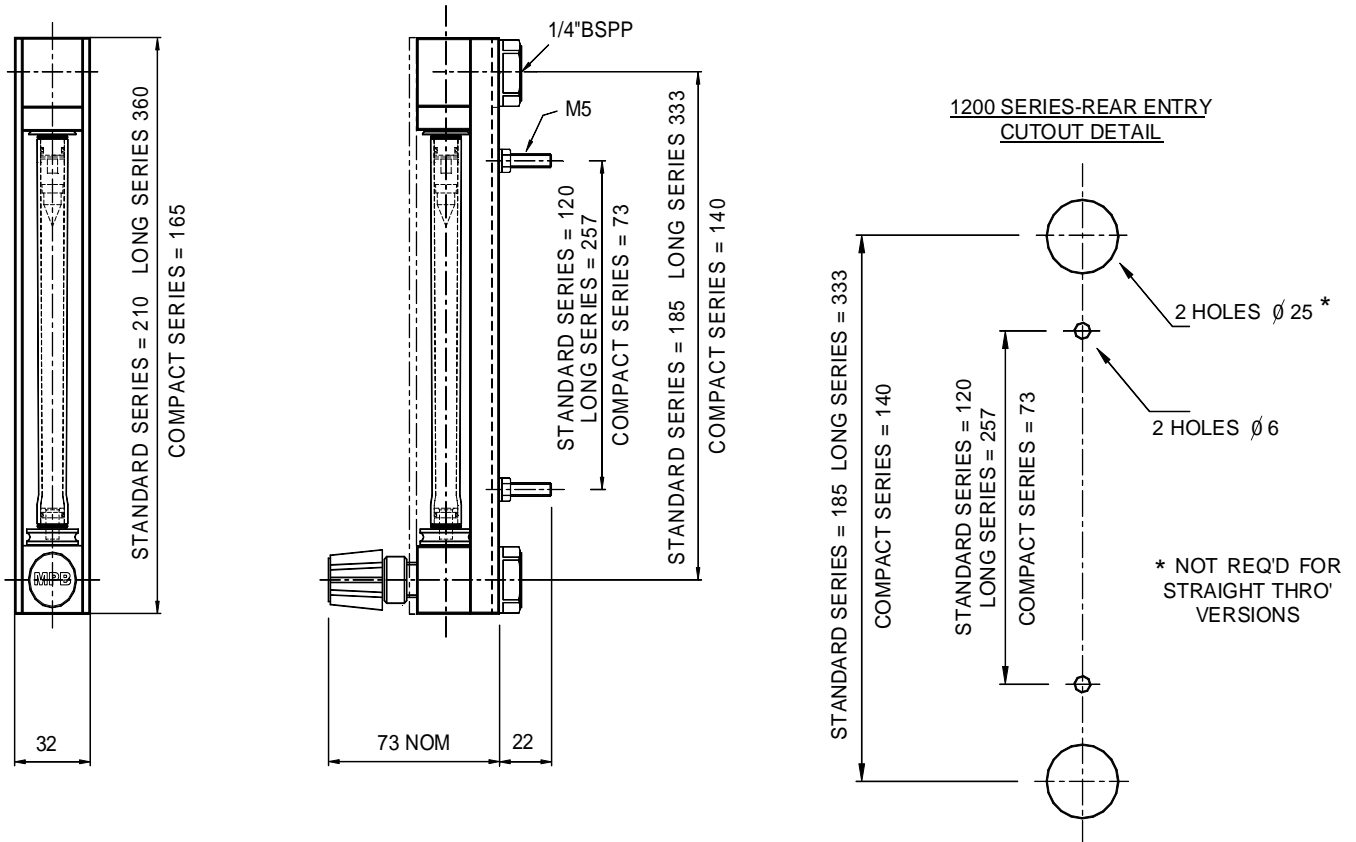
### STANDARD RANGES

93mm TUBE LENGTH		138mm TUBE LENGTH 20°C/1013 mbar abs		295mm TUBE LENGTH 20°C/1013 mbar abs	
AIR @ STP	WATER	AIR @ STP	WATER	AIR @ STP	WATER
25 – 250 cc/min	–	25 – 250 cc/min	5.0 – 50 cc/min	0.25 – 2.5 l/min	10 – 100 cc/min
50 – 500 cc/min	–	50 – 500 cc/min	10 – 100 cc/min	0.5 – 5.0 l/min	25 – 250 cc/min
10 – 1000 cc/min	5.0 – 50 cc/min	0.1 – 1.0 l/min	25 – 250 cc/min	0.75 – 7.5 l/min	50 – 500 cc/min
0.25 – 2.5 l/min	10 – 100 cc/min	0.25 – 2.5 l/min	50 – 500 cc/min	1.0 – 10 l/min	0.1 – 1.0 l/min
0.5 – 5.0 l/min	25 – 250 cc/min	0.5 – 5.0 l/min	0.1 – 1.0 l/min	2.5 – 25 l/min	0.2 – 2.0 l/min
1.0 – 100 l/min	60 – 600 cc/min	1.0 – 10 l/min	0.2 – 2.0 l/min	5.0 – 50 l/min	0.3 – 3.0 l/min
2.5 – 250 l/min	100 – 1000 cc/min	1.5 – 15 l/min	0.3 – 3.0 l/min	10 – 100 l/min	0.5 – 5.0 l/min
4.0 – 40 l/min		2.5 – 25 l/min	0.5 – 5.0 l/min	15 – 150 l/min	1.0 – 10 l/min
		5.0 – 50 l/min	0.75 – 7.5 l/min		
		10 – 100 l/min	1.0 – 10 l/min		
		15 – 150 l/min			

Customised flow ranges are available.

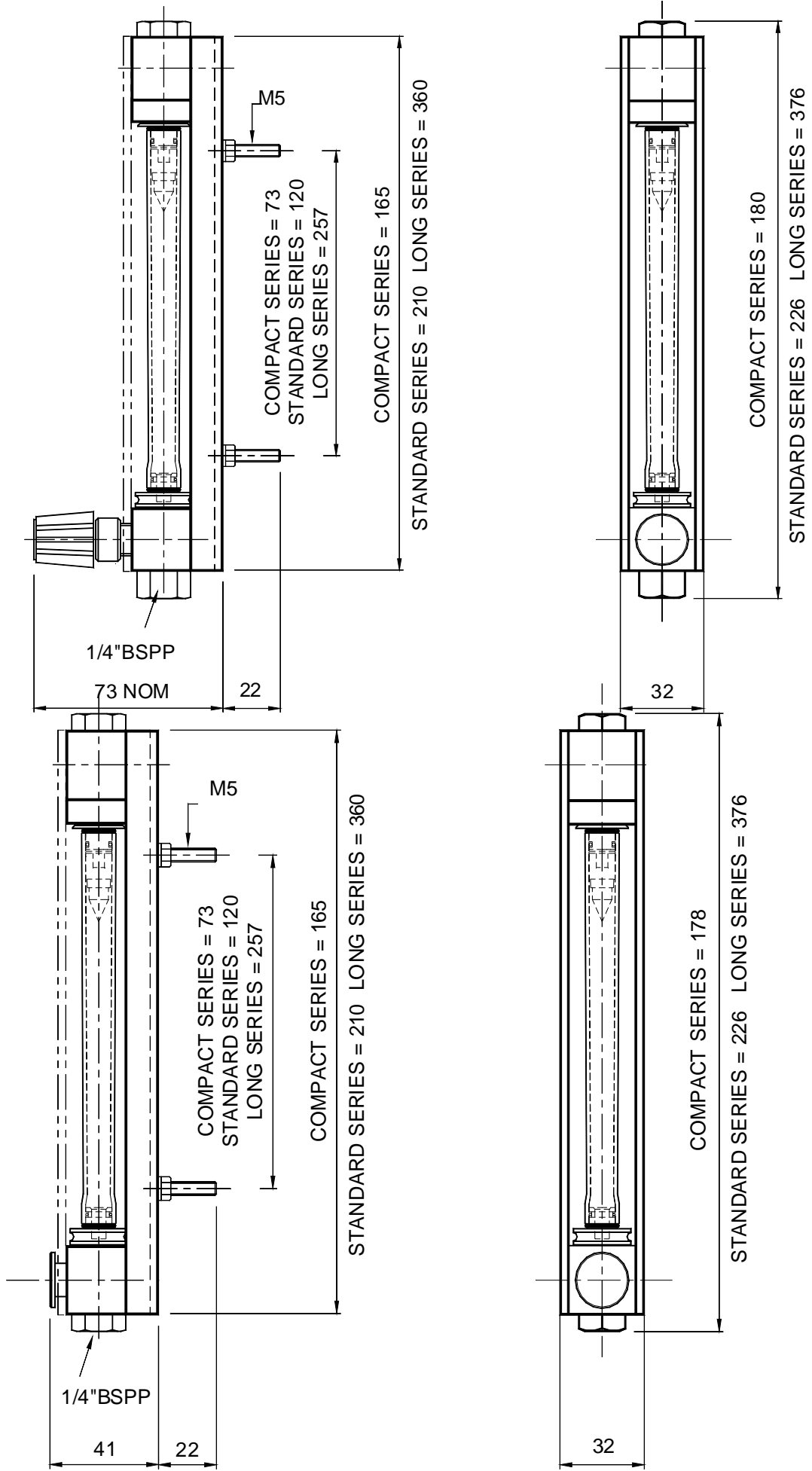
Due to the constant development and improvement of products, information may be altered or withdrawn without notice.

# 1200 VARIABLE AREA FLOWMETER DIMENSIONS AND INSTALLATION DETAILS (STRAIGHT THROUGH VERSIONS ALSO AVAILABLE)



Due to the constant development and improvement of products, information may be altered or withdrawn without notice.

# 1200 VARIABLE AREA FLOWMETER



Due to the constant development and improvement of products, information may be altered or withdrawn without notice.