

MASS FLOWMETERS

With or Without LCD Display

TSF SERIES

- ±1% Accuracy**
- Linear Output**
- Thermal Technology**
- For Using in Non Corrosive Gases**
- For Flow Rates up to 1500 SLM**
- Power Supply Included**
- ISO 9001**

The NEW-FLOW Thermal Mass Flowmeters provide high performance. Thermal Technology offers advantages in accuracy, sensitivity and turn quality components and the latest technology are combined to provide reliable, compact meters and controllers.

The TSF Series comes with or without an LCD display, and all models come with linear 0-5 VDC and 4-20 mA output. The TSF Series measures the mass flow rate of gases in 4 ranges from 0-750 SLM to 0-1500 SLM as range table.

Range Table

Code	SLM
00	0-750
01	0-1000
02	0-1250
03	0~1500
04	custom flow rate



SPECIFICATIONS

Wetted Material:

Standard flowbody– 316 Stainless Steel,
Option available. O-ring– Viton.

Output Signal: 0-5 VDC Linear min. load 1000Ω or
4-20 ma Linear, loop resistance 500Ω

Input Power: 24 VDC Standard, Optional 15 VDC
115 VAC, 220 VAC @500ma

Accuracy: +/- 1% FS (including Linearity)

Turn Dow Ratio: 100:1

Repeatability: +/- 0.15% FS or better

Electric Connection: 9 Pin Sub “D”

Process Connection: 1/2”a NPT Female

Range: 0-750 SLM to 1000 SLPM

Minimum Pressure: 1” H2O

Max Pressure: 500 PSIG

Response Time: 1 Second

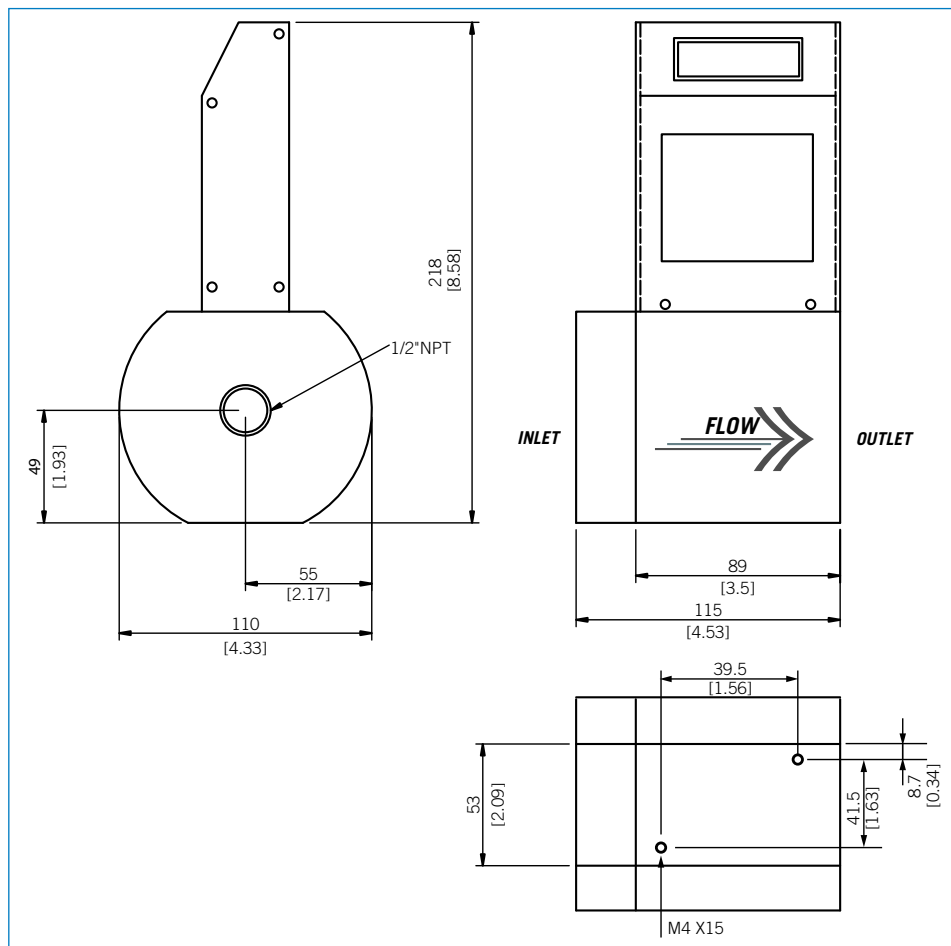
Temp. Coefficient: 0.05% Full scale per 1°C or better

Pressure Coefficient: 0.01% full scale per PSIGw or better

Temp. Coefficient: 0.05% Full scale per 1°C or better

Weight: app. to 6.5kg with power supply

Dimensions



MASS FLOWMETERS TSF SERIES

Ordering Information

TSF	Code	Flow Range			
↓	00	0-750 SLM			
	01	0-1000 SLM			
	02	0-1250 SLM			
	03	0-1500 SLM			
	04	Custom size (Please directly fill in the requested range)			
↓	Code	Wetted Material			
		(A) 316SS (O) Option			
↓	Code	Process Connection			
	1	½" NPT (F)			
↓	Code	Display			
	W	With display			
↓	0	Without display			
	Code	Output Signal			
↓		(1) 0-5VDC (2) 4-20 mA			
TSF					Complete Ordering Code

Note: All models come with power supply (Input 100VAC ~ 240VAC 50Hz ~ 60Hz/200mA Output 24VDC/330mA)

Measurement Resources Pty Ltd
A.B.N. 62 003 247 738

13 Sirius Road, Lane Cove NSW 2066 Australia
Tel: +61 (0)2 9428 7377
Fax: +61 (0)2 9428 7379
Email: sydney@hmagroup.com.au
Website: www.measurement-resources.com.au

TSF-2
08072006