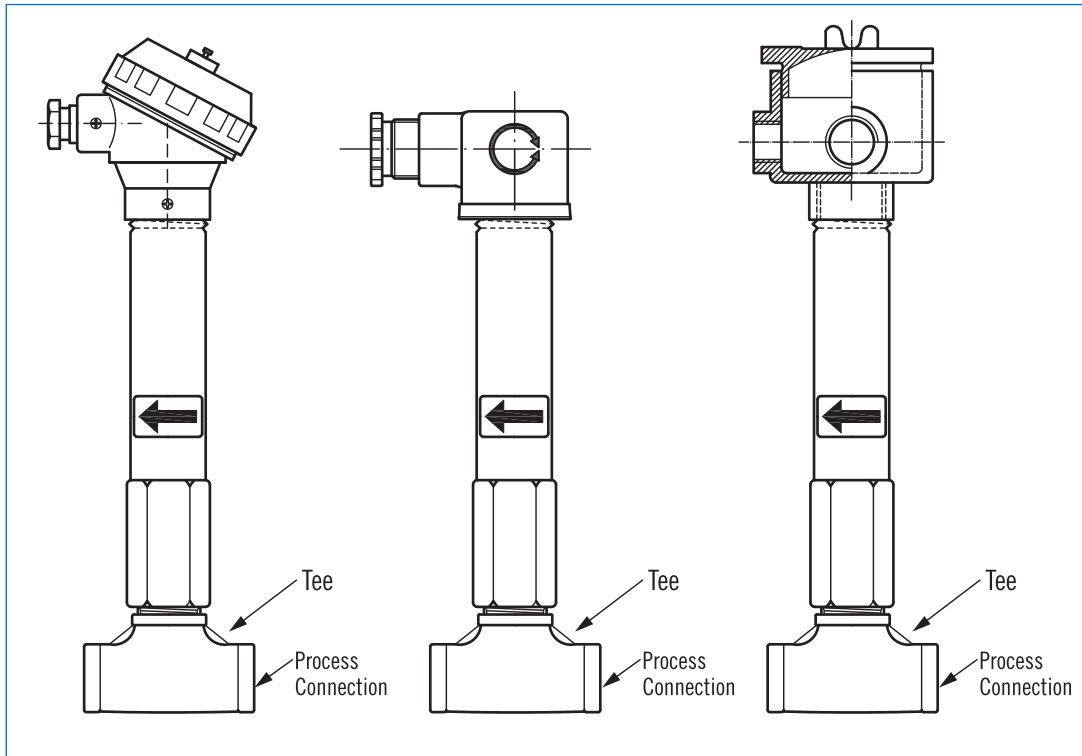




## Flow Rate Table

Process Connection (male)	Flow Rates Required Water at 25°C	
	Acuate(on) ℓ /hour	Deacuate(off) ℓ /hour
½"NPT	190,...210	130,...150
¾"NPT	320,...350	250,...270
1"NPT	435,...450	385,...395

## With Tee Drawings



## Ordering Information

Model	FS-20R	FS-20 DIN	FS-20X
	<b>Code</b>	<b>Process Connection</b>	
	A	With Tee (Material: SS316)	
		(1) ½"NPT (2) ¾"NPT (3) 1"NPT	
	B	Without Tee	
		(4) ½"NPT (5) ¾"NPT (6) 1"NPT	
		Complete ordering code	



Measurement Resources Pty Ltd

PO Box 145

33 – 37 College Street

Gladesville, NSW 2111

Tel: (02) 9816 3377

Fax: (02) 9816 3806

Email: [admin@measurement-resources.com.au](mailto:admin@measurement-resources.com.au)

Web: [www.measurement-resources.com.au](http://www.measurement-resources.com.au)