

Float Level Switch One Stage Series

EDW602 – Weather Proof Type

EDX602 – Explosion Proof Type

The NEW-FLOW float level switches are made to applications such as pump control, waste water level and open tank. They are designed for high corrosive resistance and long service life. 602-Series are one stage control and easy to install.

Technical Data

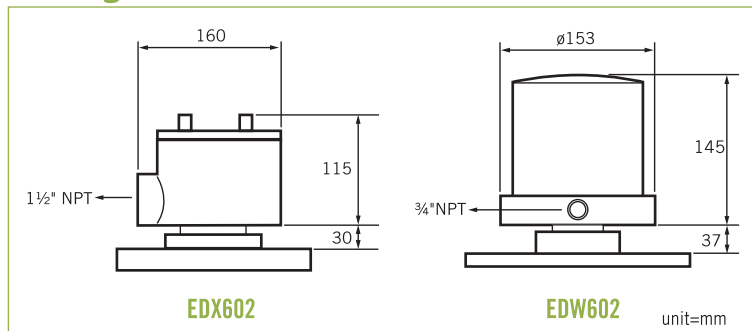
- Material:** Wetted parts –SS316, SS304 available
- The suitable S.G.:** ≥ 0.9 for max. length 1.2M ; ≥ 0.8 for max. length 0.8M
 $\geq 0.7 \sim 0.75$ for less 0.5M
- Weather proof:** IP65
- Explosion proof:** EEx d II C T6
- Micro switch rating (SPDT & DPDT Type):** 5A125VAC, 3A250VAC, 3A/30VDC, 0.4A/125VDC, 0.2A/250VDC
- Max. temperature:** 200°C
- Max. pressure:** 40 kg/cm² at 25°C
- Float size:** $\phi 80$ mm x 153mm length



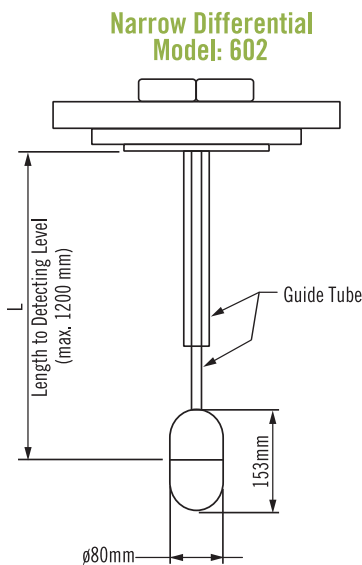
Switch Function

Dry Contact Micro-switch	1SPDT	
Hermetically Switch		
Dry Contact Micro-switch	(DPDT) 1SPDT X 2	
Hermetically Switch		

Housing



Control



Ordering Information

EDW / EDX	Code	Model
	602	Narrow differential
		Code Process Connection Size
		(1) 3" (2) Option
		Code Process Connection Rating
		(A) JIS10K (B) JIS20K (C) ANSI 150# (D) ANSI 300# (E) PN16 (F) PN40 (G) option
		Code Conduit Size
	1	3/4" NPT
		Code Switch Function
	A	Dry Contact Microswitch
	B	Option
	C	Dry Contact Microswitch
	D	Option
		Code Float and Guide Tube
	(1)	SS316
		Code Wetted Parts
	(A)	SS316 (B) SS304
		Code Sp. Gr.
	A	(A) 1 (B) Other Sp. Gr.
		Setting Point
		Please fill in the requested length: L =
		L =