

TUNING FORK VIBRATING LEVEL SWITCH

VSL5000

Housing: IP65

Explosion Proof:

Class I, Groups A, B, C, D;

Class II, Groups E, F, G; NEMA4X

VSL5000 Series are assembled with a tuning fork and energized sensor. It vibrates frequently with mechanical resonance to detect liquid level when the tuning fork is immersed into process liquid.

Technical Data

Wetted part material: 316 stainless steel

Tread connection: 1" NPT, 1" BSP

Flange connection: from 1" to 3", JIS, ANSI, DIN, and Clamp available

Detection length: minimum..... maximum 300 mm

Working temperature: -30°C~+80°C

Working pressure: maximum 100 kg/cm², up to 400 kg/cm² on request

Liquid viscosity: 0.2~10000 mpas

Liquid density: 0.6 g/cm³~2.5 g/cm³

Housing: IP65

Explosion Proof: Class I, Groups A, B, C, D; Class II, Groups E, F, G; NEMA4X

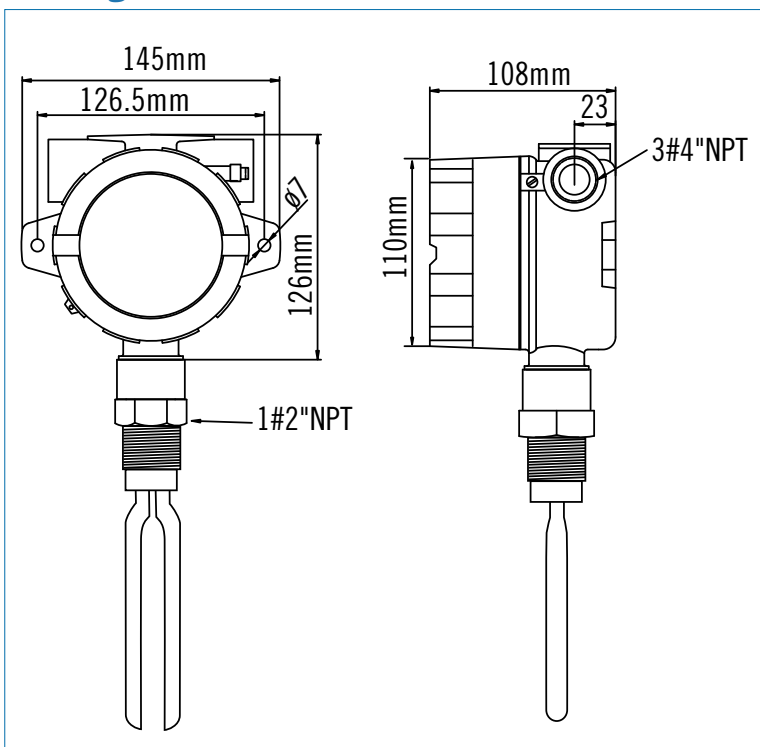
Power Supply: 110VAC, 220VAC, 24VDC

Contact Form: SPDT

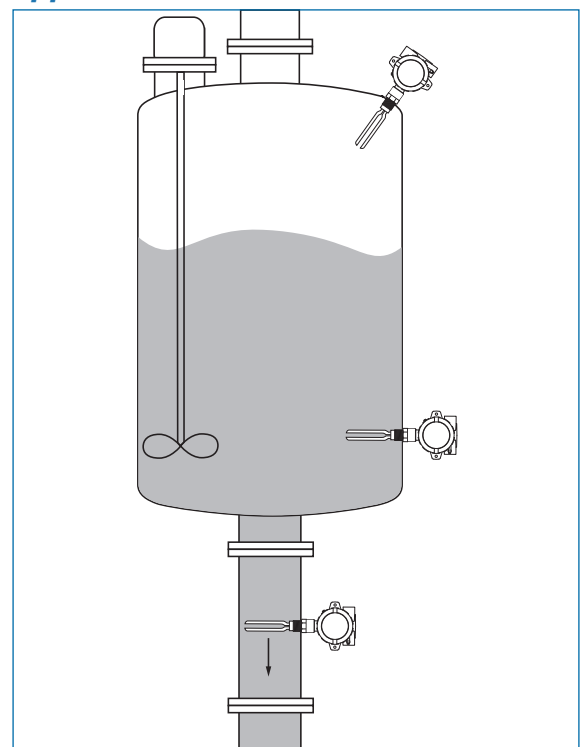
Contact Rating: 20A/125VAC, 12A/250VAC



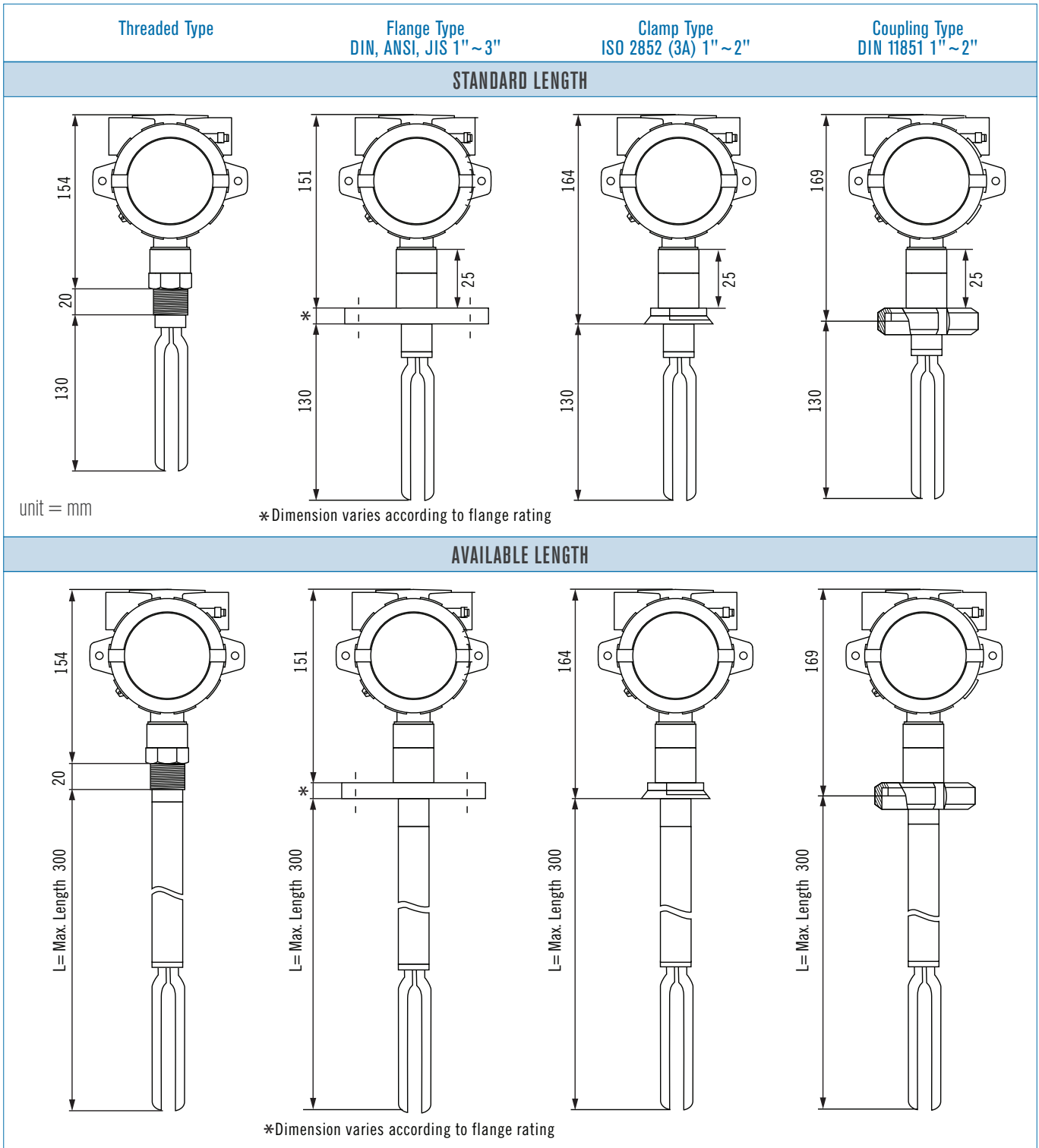
Housing Dimensions



Application and Installation



Process Connections



TUNING FORK VIBRATING LEVEL SWITCH VLS5000

Ordering Information

VLS5000	Code	Process Connection				
	1	Thread type				
	2	Flange type				
	3	Clamp type				
	4	Coupling type				
		Code	Connection Size			
		A	1"			
		B	1½"			
		C	2"			
		D	3"			
		Code	Connection Rating			
			Thread: (1) NPT (2) BSP Flange: (3) JIS10K (4) JIS20K (5) ANSI 150# (6) ANSI 300# (7) PN10 (8) PN16 (9) PN25 (0) Option: fill in the requested rating _____			
		Code	Insertion Length			
		S	Standard			
		L	Fill in the requested length ie: L=900mm			
		Code	Power Supply			
		A	110VAC			
		B	220VAC			
		C	24VDC			
VLS5000						Complete Ordering Code