

Hydrastep & Hydratect

water/steam monitoring systems

Data sheet
BP2468

Flexible...

- ▶ Modular system to match requirements
- ▶ Choice of 8 to 32 electrode resolution
- ▶ Multiple remote displays
- ▶ Up to 16 trips/alerts operable at selected water levels

Exceptionally reliable...

- ▶ Electrodes continuously monitored for open or short circuit condition
- ▶ Fault indication on all displays
- ▶ Multi-segment LEDS provides built-in redundancy
- ▶ All signal path wiring continuously monitored
- ▶ Dual independent power supplies provide fail operational condition
- ▶ No junction boxes required - fully tested spliced cable as standard

Cost effective...

- ▶ Zero maintenance – fit and forget
- ▶ No nuisance trips, no lost revenue
- ▶ No missed incidents
- ▶ Approved by insurance companies

Hydrastep electronic gauging system

Failure to detect low water levels in steam-raising plant can have costly and potentially disastrous consequences. Reliable water level detection is vital to prevent damage to plant and personnel.

The Hydrastep electronic gauging system is the ideal 'fit and forget' solution to overcome the problems associated with unreliable, maintenance intensive gauge glasses. Designed for totally reliable operation. Hydrastep is both fail-safe and fault tolerant.

Modern boilers are designed to provide clean dry steam. Detection of incorrect water level in the drum is essential: too high a level can give wet steam, leading to turbine blade erosion and if the level is too low, the boiler tubes can overheat, with the danger of explosion. All national legislatures require indication of water level in steam generating plant, and drum level indication in the control room is absolutely necessary. Conversely, however, false alarms leading to plant shutdown and loss of revenue are also highly undesirable.

Hydrastep offers exceptional levels of security. All measurements are interpreted as water, steam or contamination. Both short and open circuit conditions are detected and indicated as faults. As independent report by Factory Mutual Research concluded that the probability of Hydrastep missing a trip condition is less than 1 in 300 million and that nuisance trips will be less than 1 in 10 million. Hydrastep combines optimum safety indication with virtually no risk of false alarms.



Hydrastep 2468 electronic gauging system

The two interleaved vertical rows of electrodes are installed in a water column attached to the boiler and usually aligned so that half the electrodes are above the normal water level. The water column is attached to the boiler via steam and water connection, and should be isolated from the boiler by isolation valves.

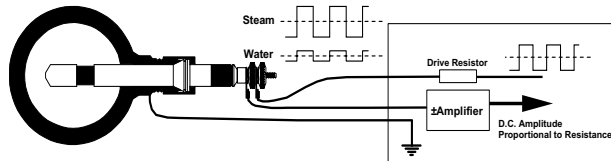
Electrodes from each side of the column are connected to the electronics unit by separate cables. Two separate input boards, each powered by its own power supply, measure the signal from each electrode and feed alternate segments of the display. This arrangement provides redundancy against failure in any part of the system. Up to 16 alarm relay outputs (dependant on the number of relay boards installed) can be utilized to operate trips or control audible, visual or other alarm indication. Each relay can be set to operate at any water level. For example, alarms could be set to give outputs on high-high, high, low and low-low levels, with trips on the high-high and low-low levels.

The electronics unit performs a resistance measurement between the insulated tip of each electrode and the wall of the water column. The resistance measured in water is substantially less than that measured in steam. The presence or absence of water is sensed at each point and the level of water is indicated. Fault conditions are also shown on the display.

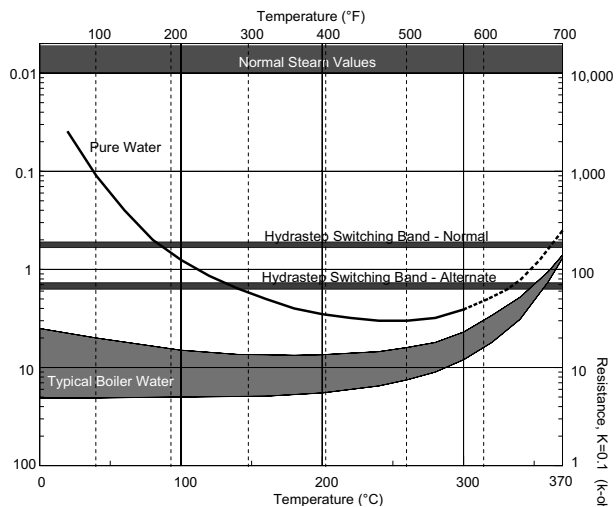
Remote display units are available for control room indication or at other points in the plant. All functions of the main display unit are repeated on the remote displays, including fault indication. Up to 6 remote displays can be used.

Operation

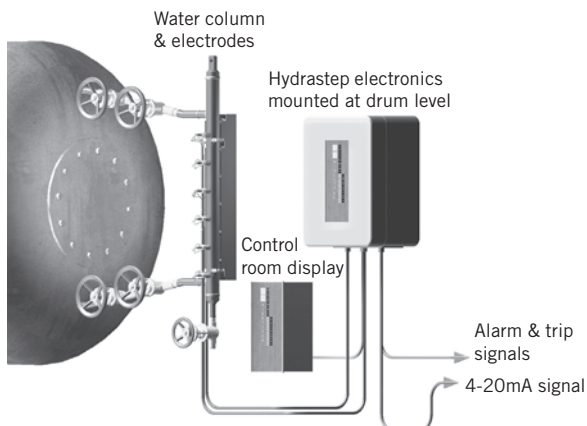
Two wires are connected to each electrode, one for the signal drive and one for the signal return. A low frequency square wave is used to drive the electrodes through drive resistors. Additional wires are used for the ground connection.



When the electrode is in steam a high resistance to ground (column wall) is presented, and therefore a large signal is returned. When the electrode is in water a low resistance to ground is presented and therefore a small signal is returned. If no signal or only a very small amplitude is returned then either a short circuit to ground is present or a wire has been broken or disconnected.



Hydrastep installation



The Hydrastep system consists of a water column fitted with up to 32 electrodes, an electronic measuring unit, local and remote displays and connecting cables.

Each of these components is available with a specification to provide reliable, cost effective protection in any application.

Density Error

All side arm level measuring systems experience an effect called density error. Errors can be as much as 150mm (6in). Correct installation of the Hydrastep system reduces this error to less than 20mm (0.8in) – well below that obtainable with most other side arm systems.

Density error occurs because temperature loss causes water in the measurement system to be cooler than the water in the drum or vessel. Since cooler water has greater density a depression of the water in the side arm occurs.

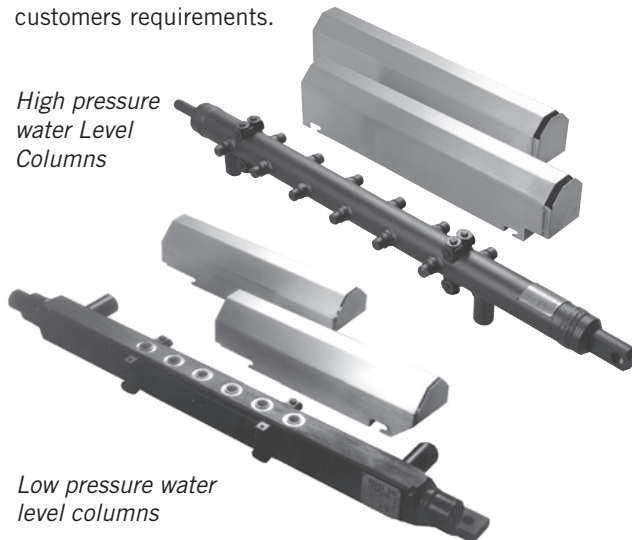
Density error is dependent on both water level and operating conditions, so that simply offsetting the water column cannot compensate for density error. Correct installation of the Hydrastep system (see diagram) reduces the density error to the smallest possible by minimising the difference in temperature between the water column and the drum. Partially insulating the steam leg encourages condensation which transfers latent heat from the steam to the water in the water column. Loss of heat from the water leg is prevented by correct insulation. Such a scheme is not practical with other side arm systems where condensate flow would create flooding or saturation and therefore incorrect level indication.

Hydrastep water level columns

The Hydrastep water level columns are designed and manufactured to match the reliability of the rest of the Hydrastep system. They offer plant operators the ideal answer for water level measurement on both HRSG drums and feedwater heaters.

All design calculations, manufacturing and test are carried out to **ASME 'Boiler and Pressure Vessel Code' and B31.1 Power Piping Code**. In addition, columns can optionally be provided with full certification to customers requirements.

High pressure water Level Columns

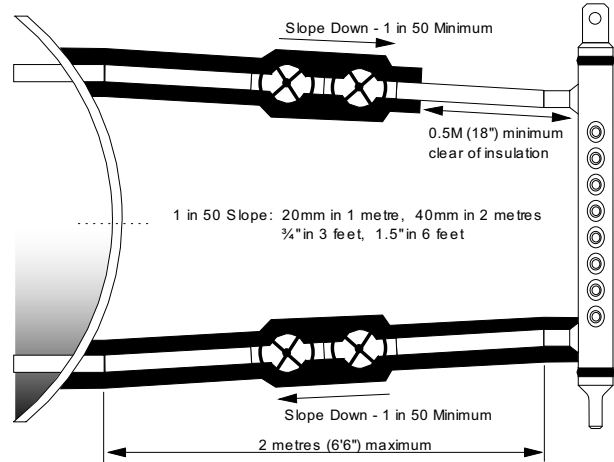


Low pressure water level columns

Typical installation

For optimum performance and to minimize density error, Hydrastep water columns should be installed as shown here.

For columns longer than 1m (3'3"), it may be necessary to insulate the column itself.



General

ASME B31.1 design code

Custom manufacture

Stainless steel covers

Low Pressure Water Level Columns

Design Pressure: 120 bar (1740 psi)

Design temperature: 343°C (650°F)

Threaded electrode fixing

Helicoil protected threads

Metaflex gasket seal

25mm (1") Sch.80 SA106 connections

High Pressure Water Level Columns

Design Pressure: 210 bar (3045 psi)

Design temperature: 370°C (698°F)

Union-style electrode fixing

Metal to metal pressure seal

25mm (1") Sch 160 SA106 connections

Supercritical Pressure Columns

Solartron water columns and electrodes can be specified for supercritical pressures and temperatures. This means that level indication is provided during subcritical operation and the need for valving off when the boiler goes supercritical is eliminated.

Design Pressure: 300 bar (4350 psi)

Design temperature: 560°C (1040°F)

Union-style electrode fixing

Metal to metal pressure seal

25mm (1") XXS SA312-TP316 connections

Hydratect 2462 Steam / water detection system

Steam/Water Detection System



The Hydratect Electronic Water Detection system is designed as an electronic alternative to conventional water level switches on steam raising plant. It can be used in a wide variety of situations wherever the detection of water or steam is vital for safe and efficient operation. Designed to use the same water or steam detection system as Hydrastep, Hydratect provides much higher levels of reliability than conventional devices, and can be used in conjunction with Hydrastep level detection for ultimate protection. Hydratect provides local indication and configurable alarm / trip outputs.



Hydratect installation

The 2462 Hydratect is designed for:

- ▶ fault tolerance
- ▶ fail-safe operation
- ▶ fully validated trips
- ▶ detection of electrode contamination
- ▶ detection of open circuit electrode connections
- ▶ detection of fault ground connections

The 2462:

- ▶ makes routine testing unnecessary
- ▶ conforms to all existing standards and legislation
- ▶ continuously verifies measurement integrity
- ▶ is the most economical solution for all installations

The Hydratect 2462 system consists of electrodes, an electronic unit and a manifold or water column. Alternatively, inserts can be provided so that the electrodes can be fitted directly into existing pipework. Hydratect is a fault detection system designed for maximum reliability. At installation, each electrode is specified as being either normally in steam or normally in water. Under normal operating conditions, Hydratect's alarm/trip relays remain energized and no alarm is triggered. An alarm/trip output is given if:

- ▶ the electrode detects a 'not normal' condition
- ▶ a fault occurs within the Hydratect system or associated wiring
- ▶ power to the Hydratect system fails

'Steam normal' is used for high water level detection in steam drums, feedheaters and in turbine water induction prevention systems (TWIPS) on steam lines.

'Water normal' is used for low water level detection

Hydratect and Hydrastep

For ultimate protection. Hydratect and Hydrastep can be combined in a single column

Typical applications

Steam Normal

- ▶ Turbine water induction prevention
- ▶ Steam line drain control
- ▶ Boiler water high level protection
- ▶ Stator winding cooling circuits

Water Normal

- ▶ Feedwater heater low level protection
- ▶ De-aerator level protection

Turbine Water Induction Protection

A Hydratect Level Switch installed on the drain pot in the super-heated steam line will detect the level of condensed water in the pot. A single electrode can be used, but for better protection a two electrode, dual power supply system ensures trouble free, fault tolerant water detection. This can also be utilised for automatic operation of the drain valve.

For site fabrication pre-threaded inserts are available for welding into standard pipework. The insert is designed to maintain the integrity of the basic pipe.

Custom manifolds can be supplied for up to 4 electrodes.

Specification

Hydrastep electronic gauging system 2468

Electrode Channels:	8 to 32, in pairs
Water/steam threshold:	0.6µS/cm (normal) or 1.6µS/cm (alternate) depending on water purity.
Electrode cable length:	3m(10'), 10m(33'), 18m(60'), 30m(98')
Fault detection:	Electrode connection Open circuit Short circuit to ground
Channel fault indication:	Flashing display segment
General fault indication:	Amber LED
Local display:	Red/green bar graph, 32 LED segments Display blanking from the bottom with less than 32 electrodes in use

Outputs:

Drive to remote displays, maximum 6 units	
Opto-isolated fault output	
Analogue output (proportional to water level):	
Range:	0-20mA or 4-20mA, forward or reverse
Accuracy:	± 0.2mA
Drive capability	600Ω at nominal supply voltage 500Ω at minimum supply voltage

Optional Output Boards (for alarm indication)

Number of output boards:	Up to 4	
Relay board 24680504C		
Relays:	4 Independent change-over	
Relays contact rating:	ac	dc
Maximum voltage:	250V	125V
Maximum current:	8A	8A
Max. switching power:	1500VA	type N safety
	240W (<30V)	5A at 12Vdc
	65W (<60V)	100mA at 30Vdc
	25W (<125V)	20mA at 125Vdc

Delayed relay board 24680509B	
<i>Specification as 24680504C</i>	
Delay range	0 to 25s ±1s
Opto-coupled board	24680505A
Solid state relays:	Four independent outputs
Rating:	30V dc 1A
Maximum voltage drop:	1.1V @ 1A
Maximum leakage current:	1mA @ 30Vdc

General

Power supplies	
Power supply (ac)	94V to 130V or 187V to 256V 48Hz to 65 Hz 60 VA maximum
Power supply (dc)	20V to 40V negative ground or isolated

Operating temperature:	-20°C to +70°C (-4°F to 158°F)
Relative Humidity:	up to 100%
Enclosure:	Stainless steel Wall mounting (four point) IP65 / NEMA4X 425mm high x 325mm wide x 185mm deep (16.73" x 12.8" x 7.28")
Weight	12 kg (26.4lb)

Approvals

LVD:	EN 61010-1
ATEX:	II3 G EEx nA IIC T4 (-20°C ≤ t _a ≤ +70°C)
CSA:	(Canada) Ex nA [nL] nL IIC T4 (USA) Cl. 1 Zn. 2 AEx nA IIC with relay output connected only to energy limited circuits
EMC:	EN 61326
PED:	Safety accessory

Specification

Remote Displays

Indication:	Red/Green bar graph, 32 LED segments
Power Supply:	From 2468 unit (1 display only)
Local power for additional displays:	20V to 54V dc, 240mA

2468 3B

Case style:	Panel mounted
Dimensions:	144mm x 72 mm x 200mm deep (5.67" x 2.38" x 7.87")
Panel cutout:	137.5mm x 66mm (5.41" x 2.60")

2468 3C

Case style:	Panel mounted
Dimensions:	192mm x 96mm x 209mm deep (7.56" x 3.78" x 8.23")
Panel cutout:	186mm x 92mm (7.32" x 3.62")

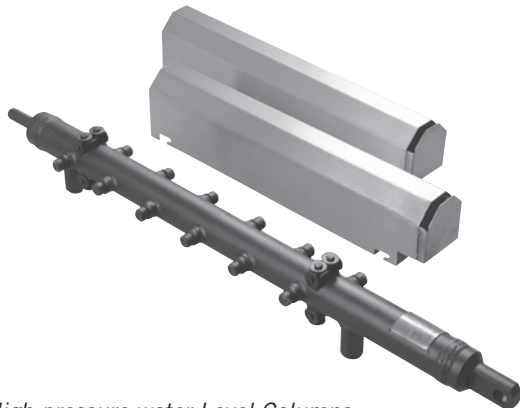
2468 3D

Case style:	Rugged enclosure, IP65/NEMA 4X
Dimensions:	302mm x 186mm x 175mm deep (11.89 x 7.32" x 6.89")

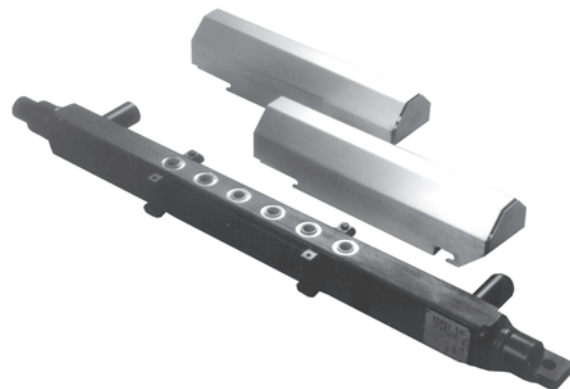
Water Columns

Parameter	LP Rectangular Section	HP Series 3	HP Super 3
Design Pressure	120 bar: 1740 psi	210 bar: 3045 psi	300 bar: 4350 psi
Test Pressure	180 bar: 2610 psi	315 bar: 4567 psi	450 bar: 6525 psi
Design Temp	343°C: 650°F	370°C: 698°F	560°C: 1040°F
Design Code	ASME B31.1	ASME B31.1	ASME B31.1
Protective Covers	18 SWG St. St. (17 AWG St. St)	18 SWG St. St (17 AWG St. St)	18 SWG St. St (17 AWG St. St)
Gross Weight*	12kg (26.5lb)	17kg (37.5lb)	17kg (37.5lb)
Electrode Types	459600602 or 459600802	2467 81Z or 2467 82A or 2467 84A	2467 85A

* Typical (610mm (24")) steam/water range, 12 port, with electrodes & covers.



High pressure water Level Columns



Low pressure water level columns

Specification

2462 Hydratect steam / water detection system

Electrode channels:	Two				
Water / steam threshold:	0.6 μ S/cm (normal) or 1.6 μ S/cm (alternate) Depending on water purity				
Electrode cable length:	3m (10ft), 10m (33ft), 18m (60ft), 30m (98ft)				
Fault indication:	Electrode connection open circuit Short circuit to ground				
Indicators:	One Red LED for indication of steam One Green LED for indication of water One Amber LED for indication of fault				
Status relay output (one per channel):					
Modes:	Water normal:		Energized in water		
	Steam normal:		Energized in steam		
Contacts	Separate normally open and normally closed Changeover relays are also available (2462E)				
Relay contact rating:	ac	dc	Changeover:	ac	dc
Maximum voltage:	250V	125V		250V	225V
Maximum current:	8A	8A		8A	0.25A
Maximum switching power: (resistive load)	1500VA	240W(<30V) 65W (<60V) 25W (<125V)			
Opto-coupled:					
Output rating "off"	30V dc max, leakage <1mA				
Output rating "on"	1A dc, voltage <1.1V @ 1A				
Fault relay output (one per channel):	Energized during normal operation (fail-safe) <i>Specification as status relay above</i>				
Power supply (ac)	94V to 130V or 187V to 256V 48Hz to 65Hz 2 x 10VA maximum				
Power supply (dc)	20V to 60V				
Operating temperature	-20°C to +70°C (-4°F to 158°F)				
Relative humidity:	up to 100%				
Enclosure:	190mm x 190mm x 90mm deep (7.48" x 7.48" x 3.54") Stainless steel grade 304 Wall mounting (two point) Finish - natural IP65 / NEMA4X				

Manifolds

Available with 1 to 4 electrode ports.

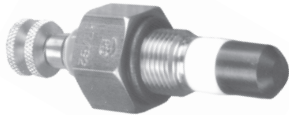
Various materials depending on required pressure and temperature rating

Design sheets available on request

Electrodes for Hydrastep and Hydratect

A selection of electrode types are available for pressures up to 300 bar (4350 psi) at 560°C (1040°F). Electrodes are available in two basic body styles. The low pressure type (up to 120 bar) has a threaded style fitting: The high pressure type (up to 300 bar) uses a union fitting.

Low Pressure (up to 120 bar)
Choice of PTFE or ceramic insulator
Threaded style fitting
Metaflex gasket seal



High Pressure (up to 300 bar)
Choice of insulators
Union style fitting
Metal to metal to seal



Specification

Part No.	Style	Material	Max Press Bar (psi)	Max Temp °C(°F)	ph range
459600802	Threaded L.P col	PTFE	50 (725)	260 (500)	7 to 13.5
459600602	Threaded L.P col	Zirconia	120 (1740)	370 (698)	7 to 11
2476 82A	Union H.P col	PTFE	50 (725)	260 (500)	7 to 13.5
2467 84A	Union H.P col	Ceramic PTFE coated	300 (4350)	260 (500)	7 to 13.5
2467 81Z	Union H.P col	Zirconia	210 (3045)	370 (698)	7 to 11
2467 85A	Union Hydratect insert	ZTA	300 (4350)	560 (1040)	7 to 11
2467 85Z	Union Hydratect insert	Zirconia	300 (4350)	370 (698)	7 to 11
2467 85P	Union Hydratect insert	PTFE	50 (725)	260 (500)	7 to 13.5

Electrode Cables

At drum level, steam generating plant has ambient conditions which are hot and humid and in coal and oil fired plants there are often sulphurous fumes present. This environment adversely affects crimped copper cables, with the formation of copper sulphate. In addition, the temperature at the screw connection to the electrode can exceed the maximum operating temperature of PVC insulation used on copper cables. To overcome these problems, pure nickel conductors with PTFE insulation can be used.

However, PTFE insulated cable is expensive and is only required in the immediate vicinity of the drum. The cables supplied with the Hydrastep system have a 2m (6.6") tail of PTFE covered nickel cable joined to the required length of PVC covered copper. The junction between the two cables is by 'High Performance Environment Resistant Sealed Crimp Splice', to meet the requirements of MIL-S-81824, providing a join of the highest possible integrity. (More information, with detailed specification, is available on request).

In applications where a junction box is preferred, this can be supplied with the appropriate cables.

Solartron Mobrey Limited

158 Edinburgh Avenue Slough
Berks UK SL1 4UE
Tel: 01753 756600
Fax: 01753 823589
e-mail: sales@solartron.com
www.solartronmobrey.com

Solartron Mobrey

19408 Park Row, Suite 320,
Houston TX 77084 USA
Tel: 281 398 7890
Fax: 281 398 7891
e-mail: sales@solartron.com
www.solartronusa.com



Solartron Mobrey GmbH	Deutschland	tel: 0211/99 808-0
Solartron Mobrey Ltd	China	tel: 021 6353 5652
Solartron Mobrey sp z o o	Polska	tel: 022 871 7865
Solartron Mobrey AB	Sverige	tel: 08-725 01 00
Solartron Mobrey SA	France	tel: 01.30.17.40.80
Solartron Mobrey SA-NV	Belgium	tel: 02/465 3879



13 Sirius Road, Lane Cove NSW 2066 Australia
Tel: +61 (0)2 9428 7377
Fax: +61 (0)2 9428 7379
Email: sydney@hmagroup.com.au
Website: www.measurement-resources.com.au



The right is reserved to amend details given in this publication without notice