

# BI-METAL THERMOMETERS

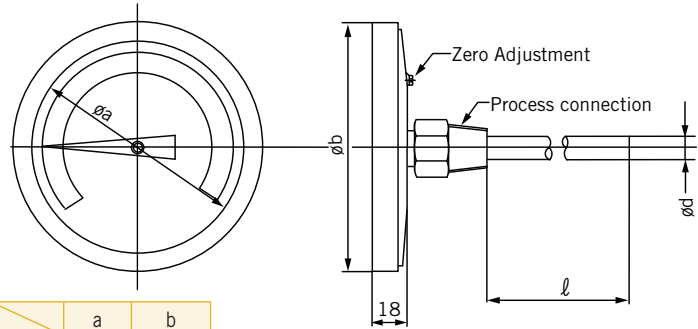
## AY/AI/AY-QS SERIES

### Technical Data

**Material of case & cover:** 316 stainless steel  
**Material of stem:** 316 stainless steel  
**Lens:** Glass, safety glass available  
**Housing enclosure:** IP65, liquid filled available  
**Dial size:** Ø3", 4", 5" available  
**Type:** AY / AI / AY-QS available  
**Range limit:** -50 to 600°C  
**Stem dimensions:** Ø4, 6, 8, 10 mm available  
**Stem length limit:** 65~1000 mm  
**External zero adjustable**  
**Accuracy:** ±1% (FS)  
**Process connection:** 1/2" NPT standard, others available  
**Over range protection:** 130% FS

### Dimensions

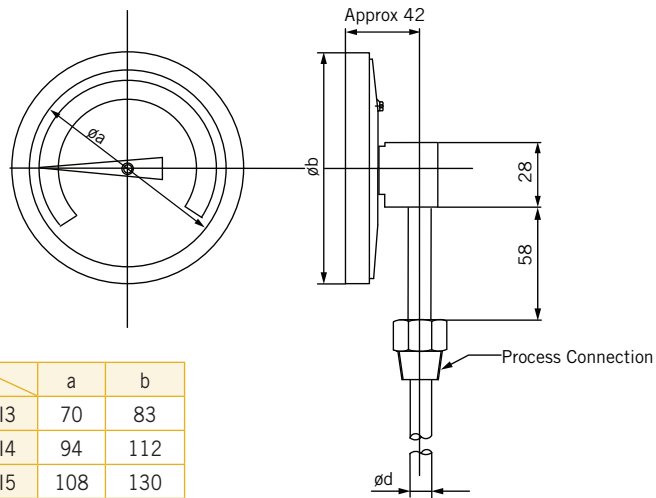
	AY3 (Ø75)	AY4 (Ø100)	AY5 (Ø125)	Back connection
--	--------------	---------------	---------------	-----------------



	a	b
AY3	70	83
AY4	94	112
AY5	108	130

\* $\phi d, l$  refer to range and stem table

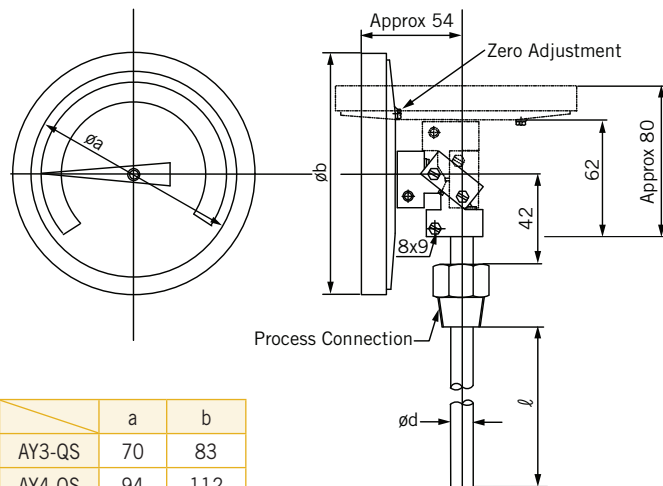
	AI3 (Ø75)	AI4 (Ø100)	AI5 (Ø125)	Bottom connection
--	--------------	---------------	---------------	-------------------



	a	b
AI3	70	83
AI4	94	112
AI5	108	130

\* $\phi d, l$  refer to range and stem table

	AY3-QS (Ø75)	AY4-QS (Ø100)	AY5-QS (Ø125)	Every angle connection
--	-----------------	------------------	------------------	------------------------



	a	b
AY3-QS	70	83
AY4-QS	94	112
AY5-QS	108	130

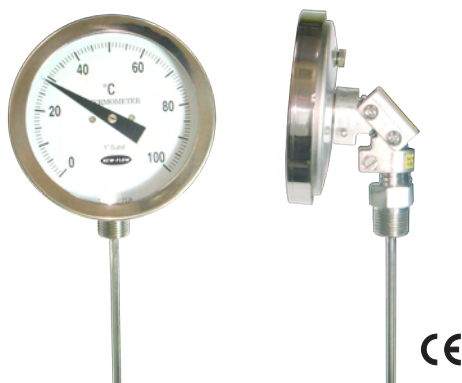
\* $\phi d, l$  refer to range and stem table



AY SERIES

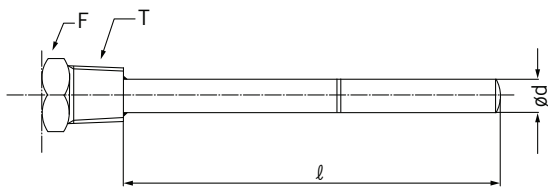


AI SERIES

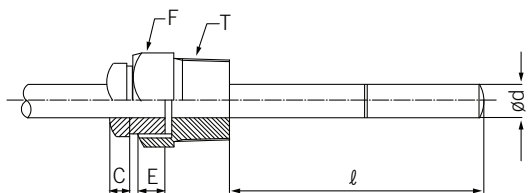


AY-QS SERIES

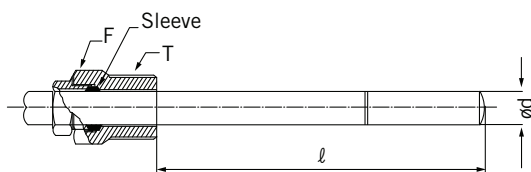
Connection Type



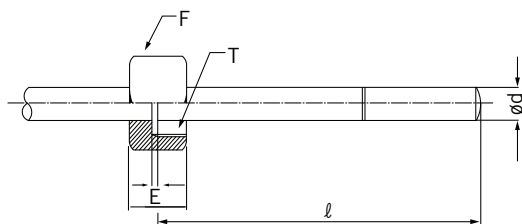
(A) Fixed Thread Type



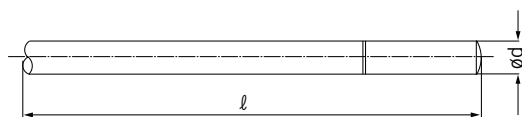
(B) Rotary Thread Type



(C) Slide Thread Type  
(Length "l" changed available.)



(D) Female Thread Type  
(Rotation Style)



(E) Non Thread Type

T: Process connection  
E: Stop plate for (rotary & rotation style)  
F: Hexagonal head  
l: Sensor length  
d: Sensor dimension

Table For Range And Stem

Standard Scale Range (°C)	Minor Division (°C)			Minimum Stem Length (mm)			
	ø75	ø100	ø125	Outer Diameter of Stem			
				ø4	ø6	ø8	ø10
-50~50	2	1	1	80	65	60	55
-30~50	1	1	1	80	65	60	55
-20~60	1	1	1	80	65	60	55
-10~50	1	0.5	0.5	95	80	75	70
-10~110	2	1	1	80	65	60	55
0~50(60)	1	0.5	0.5	105	90	85	80
0~80	1	1	1	80	65	60	55
0~100	2	1	1	80	65	60	55
0~120	2	2	2	80	65	60	55
0~150	2	2	2	80	65	60	55
0~200	5	2	2	80	65	60	55
0~250	5	2	2	95	80	75	70
0~300	5	2.5	2.5	85	70	65	60
0~400	10	2.5	2.5	-	65	60	55
0~500	10	5	5	-	65	60	55
0~600	10	5	5	-	65	60	55

\* Dual scale available upon request

