

DIFFERENTIAL PRESSURE GAUGE

DPG4000

Combine With Switch Available
Weather Proof, Piston Type
Range Available:
0-1-70 kg/cm²

DPG4000 series consist of high and low pressure ports. Spring and diaphragm as well as magnet couple with pointer. Differential pressure indicated on dial due to ΔP pressure of high side and low side be made from magnet couple with pointer. It could combine with micro switch or reed switch for using in controller system.

Technical Data

Dial Size: Ø4"

Accuracy: ±2%F.S. (Ascending)

Switch Data: one SPDT Microswitch, 3amps 125/250V, others are on request.

Housing: die cast aluminum alloy with paint

Electronic Connection: ½" NPT Female

Pressure Element: diaphragm-*viton*
other parts all in SS316

Process Connection: ½" or ¼" NPT Female

Working Pressure: 200 kg/cm²

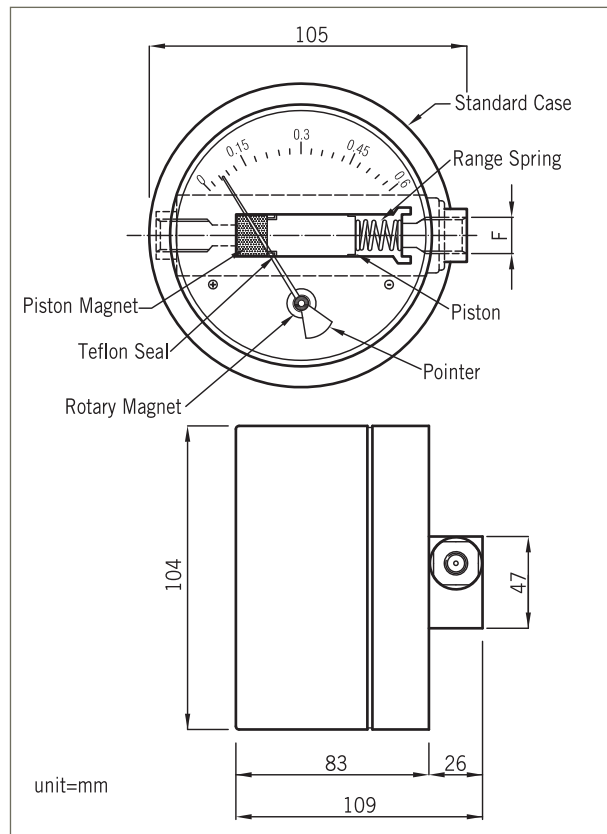
Working Temperature: 80°C

Range Selection Table

Code	Adjustable Range		Code	Adjustable Range	
	psi	kg/cm ²		psi	kg/cm ²
09R	0~9	0~0.6	140R	0~140	0~10
11R	0~11	0~0.75	200R	0~200	0~14
14R	0~14	0~1	450R	0~450	0~30
30R	0~30	0~2	600R	0~600	0~40
40R	0~40	0~2.5	700R	0~700	0~50
60R	0~60	0~4	850R	0~850	0~60
100R	0~100	0~7	1000R	0~1000	0~70



Dimensions



Ordering Information

DPG4000	Code	Range												
	09R	0~9psi	14R	0~14psi	40R	0~40psi	100R	0~100psi	200R	0~200psi	600R	0~600psi	850R	0~850psi
	11R	0~11psi	30R	0~30psi	60R	0~60psi	140R	0~140psi	450R	0~450psi	700R	0~700psi	1000R	0~1000psi
	Code	Wetted Parts Material												
	A	SS316												
	Code	Process Connection												
		(1) ½" NPT Female (2) ¼" NPT Female												
	Code	Electronic Connection												
		(E) ¾" NPT Female (F) ½" NPT Female, standard												
	Code	Switch Form												
	1	One SPDT	2	Without										
	Code	Output												
	A	4~20mA	B	Without										
DPG4000														

Complete Ordering Code