

# FIELD MOUNTED TEMPERATURE TRANSMITTER WITH DISPLAY T-1000

**Explosion Proof**  
**CLASS I, GROUPS A, B, C & D,**  
**CLASS II, GROUPS E, F & G**  
**NEMA 4X**

## Technical Data

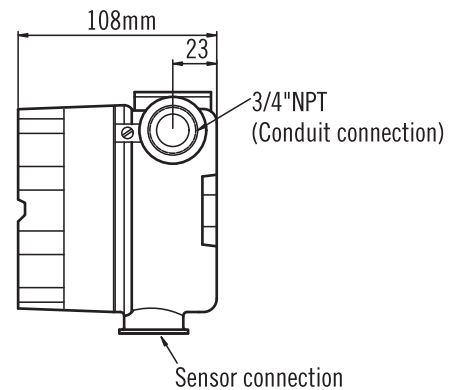
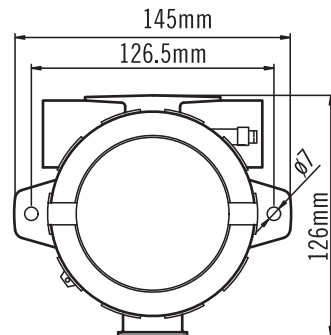
- Enclosure housing:** Aluminum or SS316
- Input:** Programmable for thermocouple type K, J, R, S, T, N, E, B and RTD pt 100Ω from a PC
- Working span range:** Programmable from a PC
- LCD display:** 4 ½ digital
- Output:** Linearized 4 to 20mA or 20 to 4 mA
- Accuracy:** pt 100Ω and 0 to 50mV ±0.15% full scale  
Thermocouple ±0.25% full scale
- Ambient temperature:** -40 to +85°C (-40 to 185°F)
- Power supply:** 12 to 35 VDC
- Sensor failure protection:** Programmable burnout upscale or downscale
- Sensor connection:** ½", ¾" available
- Conduit connection:** ¾"NPT Female



## Range Table

Sensor Type	Range	Minimum Measurement Span
Thermocouple K	-150 to 1370°C	100°C
Thermocouple J	-100 to 760°C	100°C
Thermocouple R	-50 to 1760°C	400°C
Thermocouple S	-50 to 1760°C	400°C
Thermocouple T	-160 to 400°C	100°C
Thermocouple N	-270 to 1300°C	100°C
Thermocouple E	-90 to 720°C	100°C
Thermocouple B	500 to 1820°C	400°C
PT100	-200 to 600°C	40°C
Voltage	0 to 50mV	5mV

## Dimensions



## Ordering Information

T1000	Code	Sensor Type
		(1) K (2) J (3) R (4) S (5) T (6) N (7) E (8) B (9) PT100 (10) Voltage
		<b>Code</b> <b>Measuring Range</b>
		Please fill in the requested measurement range.
		<b>Code</b> <b>Output</b>
		A 4~20 mA      B 20~4 mA
		<b>Code</b> <b>Sensor Connection</b>
		(A) ½"NPT (B) ¾"NPT (O) option
<b>T1000</b>		<b>Complete Ordering Code</b>