

# PRESSURE SWITCH NEMA 4, 4X, IP65

## PSA2100W

**Proof Pressure to 1000psi**  
**Adjustable Ranges: 2~28psi**  
**Temperature: -20 to 205°C**  
**Dead Band: Adjustable**

The New-Flow PSA2100W, a water proof pressure switch, is designed to be used in control systems. PSA2100W has high set point repeatability and narrow dead band features. There are a variety of range selections available upon request. Easily adjusted to the set point, no special tools needed!

### Technical Data

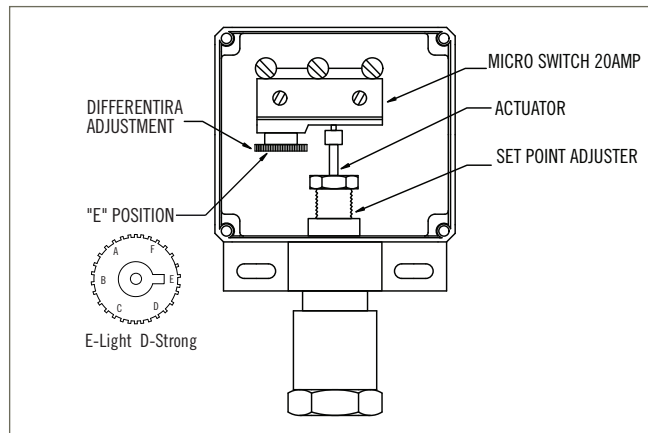
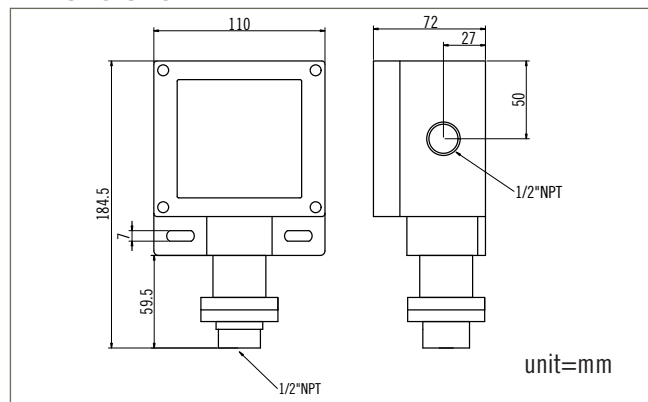
**Switch Data:** 20Amp @ 240VAC  
10Amp @ 250VAC  
**Housing:** die cast aluminum alloy with paint  
**Electronic Connection:** ¾" or ½" NPT Female  
**Pressure Element:** welded type diaphragm  
**Process Materials:** wetted parts are all in SS316  
**Process Connection:** ½" or ¼" NPT Female

### Range Selection Table

Code	Pressure Range	Adjustable Dead Band at "E" Position	Maximum Pressure Proof
04R	2~12psi	1.2~3	1000psi
10R	2~16psi	1.6~4	1000psi
20R	2~20psi	2~5	1000psi
30R	3~28psi	2.8~7	1000psi



### Dimensions



### Ordering Information

PSA2100W	Code	Range								
		04R	2~12psi	10R	2~16psi	20R	2~20psi	30R	3~28psi	
		<b>Code</b>	<b>Wetted Material</b>							
		A	SS316							
		<b>Code</b>	<b>Process Connection</b>							
			(1) ½" NPT Female (2) ¼" NPT Female							
		<b>Code</b>	<b>Electronic Connection</b>							
			(E) ¾" NPT Female (F) ½" NPT Female, standard							
		<b>Code</b>	<b>Switch Form</b>							
		1	One SPDT							
PSA2100W										Complete Ordering Code